



DF Series Furnace

Models DFSAD12, DFSD12, DFSD16, DFSD20, DFMD16, DFMD20, DFMD25, DFMD30, DFMD35, DFLD35, DFLD40, DFLA35, DFLA40

INTRODUCTION 2
IMPORTANT SAFETY INSTRUCTIONS AND DOCUMENT SYMBOLS..... 2
OPERATION 4
INSPECTION AND MONTHLY MAINTENANCE 5
ANNUAL MAINTENANCE..... 7
TROUBLESHOOTING 7
REPLACEMENT PARTS..... 7
WARRANTY 8



WARNING:

FIRE OR EXPLOSION HAZARD

Failure to follow safety warnings exactly could result in serious injury, death or property damage.

- Do not store or use gasoline or other flammable vapors and liquids in the vicinity of this or any other appliance.
- **WHAT TO DO IF YOU SMELL GAS**
 - Evacuate all persons from the vehicle.
 - Shut off the gas supply at the gas container or source.
 - Do not touch any electrical switch, or use any phone or radio in the vehicle.
 - Do not start the vehicle's engine or electric generator.
 - Contact the nearest gas supplier or qualified service technician for repairs.
 - If you cannot reach a gas supplier or qualified service technician, contact the nearest fire department.
 - Do not turn on the gas supply until the gas leak(s) has been repaired.
- Installation and service must be performed by a qualified installer, service agency, or the gas supplier.



Read these instructions carefully. These instructions MUST stay with this product.

INTRODUCTION

This manual is intended for reference on the safe operation and maintenance of the Dometic DF Series Furnace. Should you require further information, contact Dometic. This DF Series Furnace (hereinafter referred to as "Furnace") has been certified and designed as an MSP Category III Furnace and is intended for use inside a recreational vehicle (hereinafter referred to as "RV"). Follow these instructions to ensure the correct operation and maintenance of the Furnace. Failure to operate and maintain the Furnace according to these operating instructions nullifies the Furnace warranty.

Dometic Corporation reserves the right to modify appearances and specifications without notice.

IMPORTANT SAFETY INSTRUCTIONS AND DOCUMENT SYMBOLS

This manual has safety information and instructions to help you eliminate or reduce the risk of accidents and injuries.

A. Recognize Safety Information



This is the safety alert symbol. It is used to alert you to potential physical injury hazards. Obey all safety messages that follow this symbol to avoid possible injury or death.

B. Understand Signal Words

A signal word will identify safety messages and property damage messages, and will indicate the degree or level of hazard seriousness.

indicates a hazardous situation that, if **NOT** avoided, could result in death or serious injury.

indicates a hazardous situation that, if **NOT** avoided, could result in minor or moderate injury.

is used to address practices **NOT** related to physical injury.



Indicates additional information that is not related to physical injury.

C. Supplemental Directives



Read and follow all safety information and instructions to avoid possible injury or death.

Read and understand these instructions before installation of this product.

Incorrect installation of this product can lead to serious injury or death.

The installation **MUST** comply with all applicable local or national codes, including the latest edition of the following standards:

U.S.A.

- ANSI/NFPA70, National Electrical Code (NEC)
- ANSI/RVIA LV, Low Voltage Systems in Conversion and Recreational Vehicles
- ANSI/NFPA 1192, Recreational Vehicles Code
- ANSI Z223.1, NFPA 54 National Fuel Gas Code
- ANSI 1195, Park Trailers

CANADA

- CSA C22.1, Parts I & II, Canadian Electrical Code
- CSA Z240 RV Series, Recreational Vehicles
- CAN/CGA B149, Natural Gas and Propane Installation Code

D. General Safety Messages

Failure to obey the following warnings could result in property damage, serious injury, or death:

- This Furnace **MUST** be installed, repaired, and serviced by a qualified service technician.
- Do **NOT** modify this Furnace in any way. Modification can be extremely hazardous.

IMPORTANT SAFETY INSTRUCTIONS AND DOCUMENT SYMBOLS

- FIRE OR EXPLOSION HAZARD:
 - Do **NOT** store gasoline, oil- or gasoline-soaked rags, or other flammable vapors and liquids inside storage compartment(s).
 - **BEFORE** refueling or parking near a gasoline pump, make sure ALL liquid propane (LP) gas appliances (vented to the outside of the RV) are shut OFF. Otherwise, fumes from gasoline pumps could come into contact with an LP gas appliance burner flame and ignite.
 - Turn OFF LP gas supply at the tank.
 - Keep the Furnace area free and clear of insulating material, as insulating materials may be combustible. Examine the Furnace area after installation or when insulation is added.
 - Use only with the type of gas approved for the Furnace. Refer to the Furnace rating plate.
 - All DFSA, DFS, DFM, and DFLD models: LP ONLY
 - All DFLA models: LP or Natural Gas
 - Do **NOT** overfill LP gas tanks. LP tanks must be filled by a qualified gas supplier only. Follow the tank manufacturer's operating instructions located on the tank.
 - Immediately shut down the Furnace and call a service agency if the Furnace cycles erratically or delays on ignition.
 - Shut OFF the gas valve to the Furnace before shutting off the electrical supply if the gas supply fails to shut off, or if overheating occurs.
 - Use only Dometic replacement parts and components, which are specifically approved for use with the Furnace.
- CRITICAL OPERATION WARNINGS:
 - Do **NOT** use the Furnace cabinet area as a storage compartment.
 - Do **NOT** keep insulating material, clothing, or flammable material on or near the Furnace.
 - Do **NOT** use for temporary heating of buildings or structures under construction.
 - Do **NOT** use the Furnace if any part has been under water.
 - Do **NOT** use petroleum or citrus-type cleaner on plastic parts, as damage may occur.
 - Do **NOT** restrict the ducting or block Furnace outlet registers and return-air grills.
 - Do **NOT** install screens over the intake air or exhaust vents for any reason.
 - Do **NOT** install air boosters in the duct system.
 - Do **NOT** touch exterior exhaust grills when the Furnace is operating.
 - Supervise young children who are in the same room as the Furnace.
 - All sheet metal edges are sharp; take care when handling or touching edges.
 - Protect Furnace electrical components from water.
 - Protect building materials from degrading from vent assembly gas exhaust.
 - Compartment must be closed when operating the Furnace.
- CARBON MONOXIDE HAZARD:
 - This Furnace can produce carbon monoxide, which has no odor and can be life-threatening. The burner and vent assembly system **MUST** be kept clean.
 - Do **NOT** operate the Furnace if venting into a room enclosure with the privacy panels closed. At least one panel **MUST** be open for ventilation when using the Furnace.
 - Doors **MUST** be properly sealed and the draft cap and assemblies **MUST** be adjusted and sealed correctly to prevent carbon monoxide from entering the RV.
 - Do **NOT** allow snow or any objects to block the exhaust system of the Furnace.
 - Combustion products **MUST** be properly vented to the atmosphere, so that all combustion air supplied to the burner is drawn from the outside atmosphere.
 - Use only Dometic replacement parts and components, which are specifically approved for use with the Furnace.
- ELECTRICAL SHOCK HAZARD:
 - Furnaces with 12 VDC connection are for low-voltage battery or direct current only. Do **NOT** connect to 120 or 240 VAC.
 - This Furnace is designed for negative ground 12 VDC only. Do **NOT** attempt to alter the Furnace for a positive ground system or connect the Furnace directly to 120 or 240 VAC.
 - Do **NOT** use battery charger to supply power to DC model Furnaces even when testing.
 - Use only Dometic replacement parts and components, which are specifically approved for use with the Furnace.

OPERATION

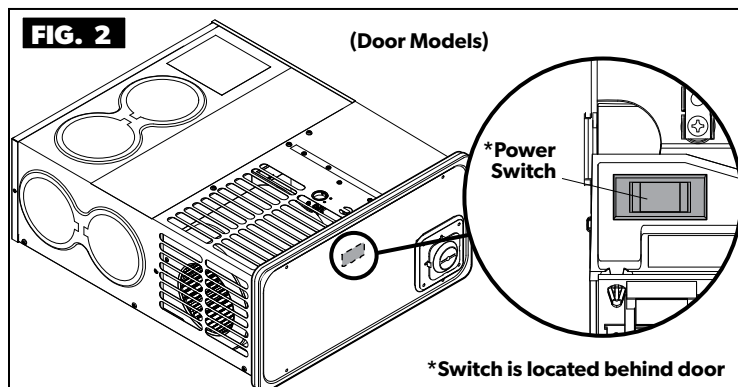
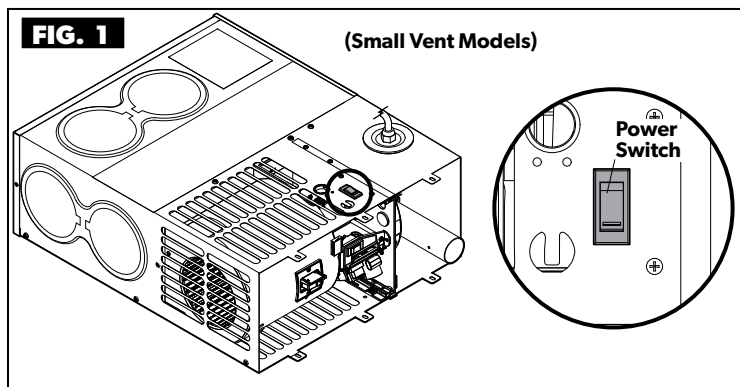
⚠ WARNING FIRE OR EXPLOSION HAZARD. Failure to obey the following warnings could result in property damage, serious injury, or death:

- This Furnace does not have a pilot. It is equipped with an ignition device that automatically lights the burner. Do **NOT** try to light the burner by hand.
- **BEFORE OPERATING THE FURNACE**, check around the Furnace area and floor for the smell of gas and check the fitting with a leak test solution. Do **NOT** proceed if a gas odor exists around the Furnace or floor area. Follow the instructions in the warning box on the cover page.
- Turn the gas control valve by hand **ONLY**. **NEVER** use tools. If the valve does not turn by hand, do **NOT** attempt to repair it. Call a qualified service technician.

i Read the following **BEFORE** proceeding:

- During the initial firing of the Furnace, a burn-off of excess paint and oils remaining from the manufacturing process may cause “smoking” for 5 – 10 minutes.
- The Furnace is equipped with a power switch. Gas will not flow to the burner and the Furnace will not operate with the switch in the OFF position.
 - Door models have a power switch located inside of the door.
 - Non-door models (LD or Small Vent) have a power switch on the outside of the Furnace.

A. Turning On The Furnace

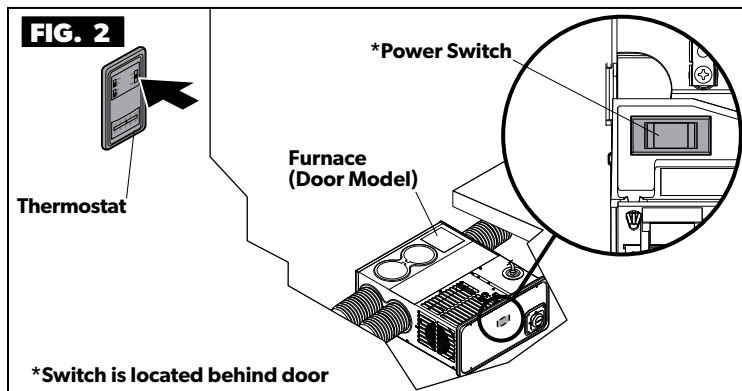
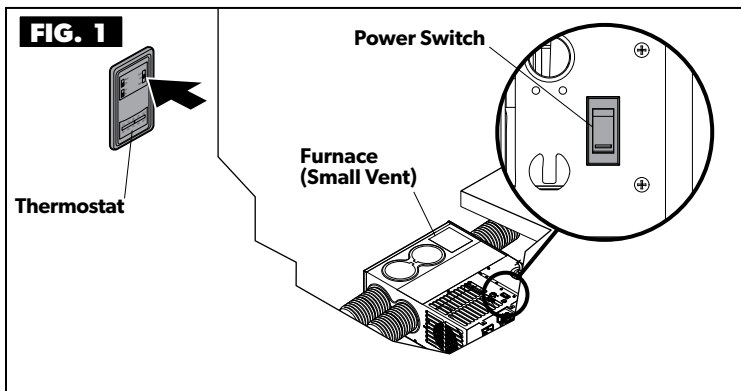


- Turn the thermostat to the lowest setting.
- Turn OFF all power to the Furnace at the main power supply.
- At the exterior access panel, turn the switch on the Furnace to the OFF position.
- Wait five minutes, then check for a gas odor.
 - If a gas odor exists around the Furnace or floor area, follow the instructions in the warning box on the cover page.
 - If no gas odor is present, proceed to the next step.
- At the exterior access panel, turn the switch on the Furnace to the ON position.
- Turn ON the main power supply.
- Set the thermostat to the desired temperature.

i If the Furnace will not operate, follow the instructions for “B. Turning Off The Furnace” on page 5 and call a qualified service technician.

OPERATION

B. Turning Off The Furnace



- Set the thermostat to the lowest setting, then turn to the OFF position.
- Turn the manual shut-off valve at the LP tank (if equipped) to the OFF position. Do **NOT** force the valve.
- At the exterior access panel, turn the switch on the Furnace to the OFF position.

INSPECTION AND MONTHLY MAINTENANCE

⚠ WARNING ELECTRICAL SHOCK, FIRE, OR EXPLOSION HAZARD. Failure to obey the following warnings could result in dangerous operation, property damage, serious injury, or death:

- Never attempt to repair the Furnace yourself. Contact a qualified service technician.
- Improper servicing could result in dangerous operation, serious injury, death, or property damage.
 - Before servicing, disconnect all electrical power to the Furnace.
 - When servicing the controls, label all the wires prior to disconnecting. Reconnect the wires correctly.
 - Verify proper operation after servicing.
- Keep the Furnace, control compartments, burners, and circulating air passageways clean and unobstructed. More frequent cleaning may be required from excessive lint from carpeting, bedding materials, pet hair, etc.
- Do **NOT** use petroleum or a citrus-type cleaner on plastic parts, as damage may occur.

NOTICE The motor is permanently lubricated and requires no oiling.

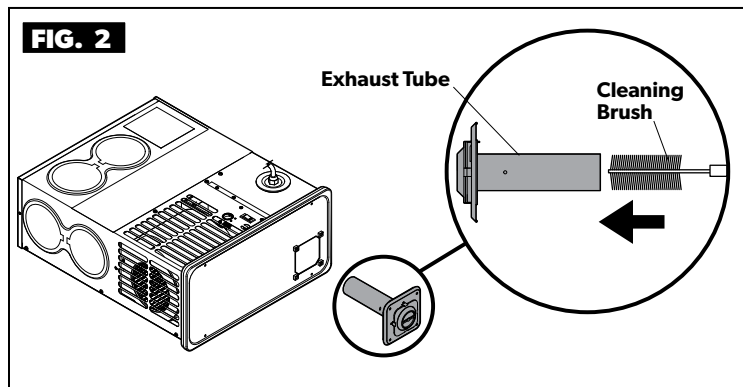
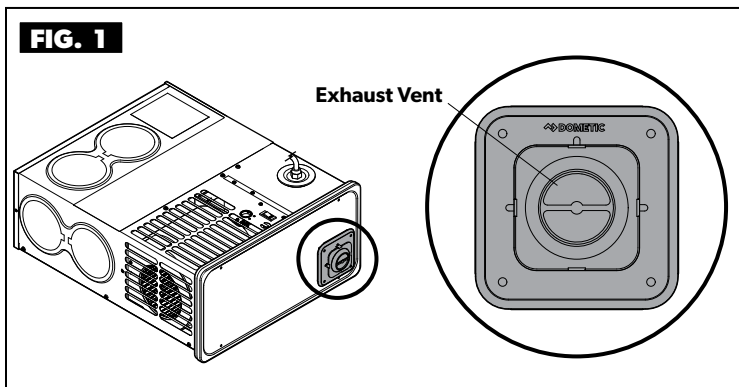
A. Servicing And Maintenance

(i) Annual inspections should be performed by a qualified service technician.

MONTHLY	ANNUALLY
To be performed by owner/user:	To be performed by qualified service technician:
VENTS AND EXHAUST TUBES: Refer to "B. Inspecting The Vents And Exhaust Tubes" on page 6.	Refer to "Annual Maintenance" on page 7.
CHAMBER: Refer to "C. Inspecting The Chamber" on page 6.	
MOUNTING BASE: Refer to "D. Inspecting The Base" on page 6.	
VENT ASSEMBLY: Refer to "E. Inspecting The Vent Assembly" on page 6.	

INSPECTION AND MONTHLY MAINTENANCE

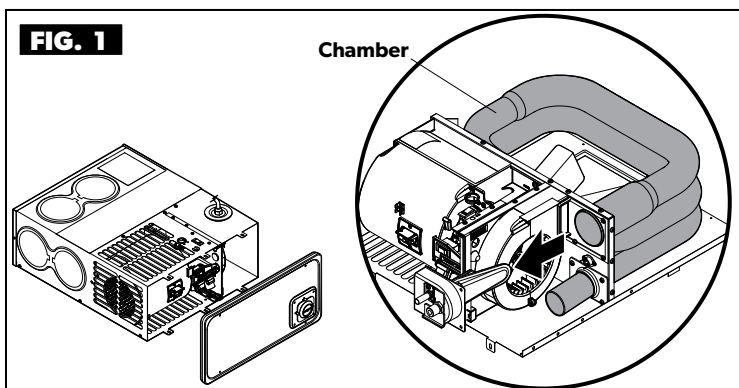
B. Inspecting The Vents And Exhaust Tubes



- Inspect the Furnace venting. Confirm the vents properly expel exhaust into the atmosphere and that the vent assembly is positioned tightly against the outer door.
- Inspect the vent for obstructions or the presence of soot. If soot is present, immediately shut the Furnace OFF and contact your dealer or a qualified service technician.

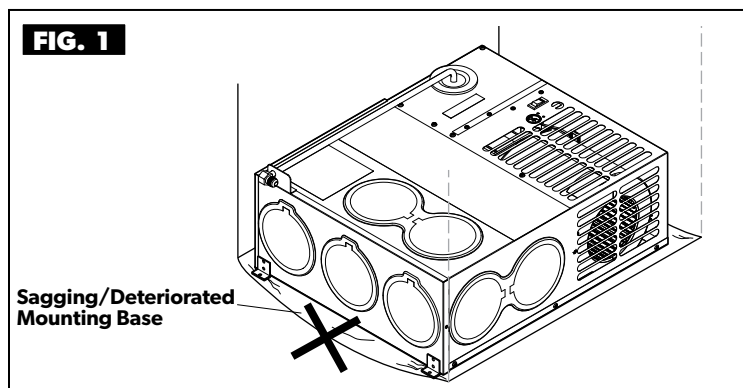
- Inspect the Furnace exhaust tubes for blockage, overlap, holes, or soot.
- All exhaust system tubes **MUST** overlap no less than 1-1/4".
- All air intake tubes **MUST** overlap no less than 1/2".
- Keep tubes clean and free of obstructions.

C. Inspecting The Chamber



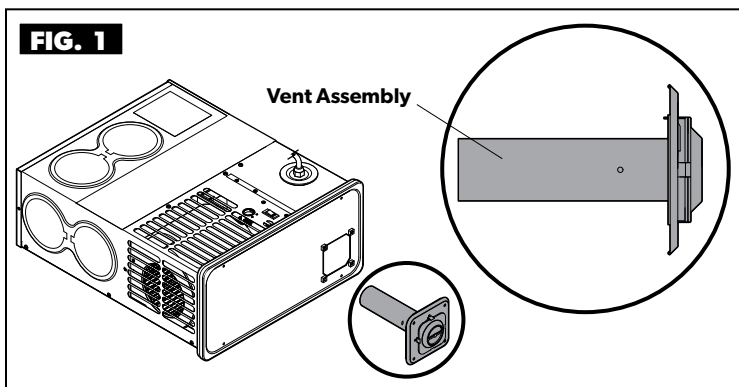
- Inspect the chamber and vent system for holes or excessive corrosion.

D. Inspecting The Base



- Confirm the Furnace mounting base is not sagging or deteriorating.

E. Inspecting The Vent Assembly



- Inspect the Furnace, venting, ducting, and gas piping for obvious signs of deterioration. Correct any defects.

ANNUAL MAINTENANCE

⚠ WARNING ELECTRICAL SHOCK, FIRE, OR EXPLOSION HAZARD. Failure to obey the following warnings could result in dangerous operation, property damage, serious injury, or death:

- Improper servicing could result in dangerous operation, serious injury, death, or property damage.
 - Before servicing, disconnect all electrical power to the Furnace.
 - When servicing the controls, label all the wires prior to disconnecting. Reconnect the wires correctly.
 - Verify proper operation after servicing.
- Failure to properly maintain the Furnace may void the Furnace warranty and can result in property damage, serious injury, or death.

i A qualified RV service technician should perform the following preventative maintenance and safety checks ANNUALLY.

AIR WHEEL: Clean and clear any obstructions.	GASKETS: Inspect all gaskets for tight seals.
ORIFICE INSPECTION: Inspect the orifice annually.	GENERAL: Check physical support system for sagging cracks, gaps, etc.
BURNER: Requires no adjustment, inspect annually. Clean burner with a wire brush to remove debris and corrosion build up.	MOTOR: Requires no oiling. Permanently sealed and lubricated. Inspect annually.
CONTROL COMPARTMENT: Remove dirt and lint.	RETURN AIR: Clean and clear obstructions.
DUCTING: Clean and clear obstructions. Reconnect any ducts that have become loose.	VENTING: Check position of exhaust tube and Furnace chamber tube.
GAS PRESSURE TEST: Test the entire piping system. Test the gas connections for leaks with a leak test solution.	VOLTAGE: Check power with applicable power sources (generator, battery, and converter).
GAS SUPPLY SYSTEM: Perform a pressure drop test according to current ANSI standards.	WIRE CONNECTIONS: Check for loose, disconnected, or worn insulation areas.

TROUBLESHOOTING

ISSUE	SOLUTION
Furnace will not light – Blower does not turn on.	<ol style="list-style-type: none"> 1. Check the main fuse panel for a blown fuse. 2. The Furnace-installed breaker switch may be tripped or OFF – Contact a trained RV service provider. 3. The 12 VDC power is low; check the RV system voltage. 4. The Furnace may be in lockout. Reset the Furnace by switching the thermostat to OFF for 10 seconds, then switch the thermostat to ON. If air is in the propane line, repeat this process up to three times. 5. Check the intake and vents to make sure they are not blocked or obstructed.
Furnace will not light – Blower does turn on.	<ol style="list-style-type: none"> 1. Air is in the LP line. Purge the air by turning on other appliances (like a cooktop) that are further downstream from the LP tanks. 2. The thermostat is not set to Heat or a high enough temperature. Adjust the thermostat.
Furnace shuts off before it reaches the desired temperature.	<ol style="list-style-type: none"> 1. Check to make sure all the vents are open and not covered. 2. Check the air intake to make sure it is not blocked or obstructed.

REPLACEMENT PARTS

⚠ WARNING ELECTRICAL SHOCK, FIRE, EXPLOSION AND/OR CARBON MONOXIDE HAZARD. Use only Dometic replacement parts and components, which are specifically approved for use with the Furnace. Failure to obey this warning could result in dangerous operation, property damage, serious injury, or death:

- For replacement part information, see the DF Series Furnace Parts List. For the most current information, visit www.eDometic.com.



LIMITED TWO-YEAR WARRANTY (FURNACES)

THE SELLER NAMED BELOW MAKES THE FOLLOWING WARRANTY WITH RESPECT TO THE DOMETIC PRODUCT:

1. This Warranty is made only to the first purchaser (hereinafter referred to as the "Original Purchaser"), who acquires the Dometic Product for his or her own use and when the Dometic Product is installed and operated within the continental United States and Canada.
2. **WARRANTY PERIOD:** This Warranty will be in effect for two (2) years from the date of purchase by the Original Purchaser. The Original Purchaser should retain a copy of the dated bill of sale as evidence of the date of purchase.
3. **WARRANTY:** This Warranty covers labor, specified parts, and freight. The Dometic Product shall be free from defects in material and workmanship at the time of sale and under normal use. All Dometic Products (except those specifically built for commercial use) are warranted only when installed per the Seller's installation instructions on vehicles built to R.V.I.A. A119-2 and C.R.V.A. Z-240 Standards. This Warranty does NOT cover conditions unrelated to the material and workmanship of the Dometic Product. Such unrelated conditions include, but are not limited to: (a) damage not reported within 10 days of ownership; (b) failure or damage caused by storms, rain, water pooling, or any acts of God; (c) faulty installation or installation that does not comply with the Seller's instructions or R.V.I.A. and C.R.V.A. standards, and any damage resulting from such; (d) damage or failure caused by installation of accessories not manufactured and marketed by the Seller or any non-Dometic parts that are installed as replacement parts; (e) the need for normal maintenance and any damage resulting from the failure to provide such maintenance; (f) failure to follow Seller's instructions for use of this Dometic Product; (g) any accident to, or misuse of, any part of the Dometic Product and any alteration by anyone other than the Seller or its authorized representative; (h) cosmetic issues caused during installation; (i) normal wear; (j) Dometic Product abuse; (k) corrosion caused by salt water; (l) any item that restricts airflow including but not limited to bug screens and (m) defects caused by improper ducting
4. **WARRANTY COVERS DOMETIC COMPONENT PARTS:** All Dometic component parts are covered under this Limited Warranty.
5. It is suggested that the Original Purchaser provide regular preventative maintenance, most of which on a yearly basis. The preventative maintenance suggested is: (a) inspect/clean the burner; (b) removal of bug nests; (c) inspect blower wheel. The cost of this preventative maintenance is the Original Purchaser's responsibility and the preventative maintenance should take about one hour.
6. **WARRANTY REMEDY:** In order to obtain the benefits of this Warranty, the Original Purchaser has the following two options during the WARRANTY PERIOD:
 - a. Preferred option: Deliver the Dometic Product for inspection to the nearest Authorized Dometic Service Center during the Warranty Period. To obtain the location of the nearest Authorized Dometic Service Center, refer to <https://www.dometic.com/en-us/us/find-a-dealer>. The Authorized Dometic Service Center will work with the Seller to obtain Warranty coverage if a Seller defect is identified. **CONFIRM THE SERVICE CENTER IS AN AUTHORIZED DOMETIC SERVICE CENTER. DO NOT PAY THE SERVICE CENTER FOR WARRANTY REPAIRS.**
 - b. Second option: If it is not feasible under the circumstances to deliver the Dometic Product to an Authorized Dometic Service Center, please call 1-800-544-4881 for additional Warranty assistance. Seller prefers option a. first and only option b. if option a. is determined not to be feasible under the circumstances.
7. Any item returned in the manner described in paragraph 6 will be examined by the Authorized Dometic Service Center. If it is found that the returned item was defective in material and workmanship at the time of sale, the Authorized Dometic Service Center will contact the Seller for Warranty coverage. The Seller shall, at Dometic's sole option, repair or replace the Dometic Product, or refund Original Purchaser's purchase price. If the Seller determines that repairs to the Dometic Product are to be made, then only authorized Dometic parts will be used.
8. The Seller does not authorize any person or company to create any Warranty obligations or liability on its behalf. This Warranty is not extended by the length of time which you are deprived of the use of the Dometic Product.
9. **IN NO EVENT SHALL SELLER BE LIABLE FOR EITHER INCIDENTAL OR CONSEQUENTIAL DAMAGES. THIS INCLUDES ANY DAMAGE TO ANOTHER PRODUCT OR PRODUCTS RESULTING FROM SUCH A DEFECT. SOME STATES DO NOT ALLOW THE EXCLUSION OR LIMITATION OF INCIDENTAL OR CONSEQUENTIAL DAMAGES, SO THE ABOVE LIMITATIONS MAY NOT APPLY TO YOU.**
10. **ANY IMPLIED WARRANTY, INCLUDING THE IMPLIED WARRANTY OF MERCHANTABILITY AND FITNESS FOR ANY PURPOSE, IS LIMITED TO THE DURATION OF THIS LIMITED WARRANTY. SOME STATES DO NOT ALLOW LIMITATIONS ON HOW LONG AN IMPLIED WARRANTY LASTS, SO THE ABOVE LIMITATION MAY NOT APPLY TO YOU.**
11. **THIS WARRANTY GIVES SPECIFIC LEGAL RIGHTS, YOU MAY ALSO HAVE OTHER RIGHTS WHICH VARY FROM STATE TO STATE.** No action to enforce this Warranty shall be commenced later than ninety (90) days after the expiration of the Warranty Period. Claims must be submitted in writing to the Dometic Warranty Department.
12. The Seller reserves the right to change the design of any Dometic product without notice and with no obligation to make corresponding changes in Dometic products previously manufactured.

PROTECTION FOR YOUR NEW INVESTMENT

We appreciate that you have chosen to purchase a Dometic product for your recreational vehicle and we want to help you protect this wise investment. We at Dometic, back our products with one of the most comprehensive warranties in the industry. **Register your product online at: www.edometic.com.**

Dometic Corporation

Warranty Department
1120 North Main Street
Elkhart, Indiana 46514
1-574-294-2511
Register Your Product @
www.eDometic.com

REVISION A

Form No. 33403 (8/17)
(French 33404)
©2017 Dometic Corporation
LaGrange, IN 46761



Chaudière série DF

**Modèles DFSAD12, DFSD12, DFSD16, DFSD20, DFMD16,
DFMD20, DFMD25, DFMD30, DFMD35, DFLD35,
DFLD40, DFLA35, DFLA40**

INTRODUCTION	2
CONSIGNES DE SÉCURITÉ IMPORTANTES ET SYMBOLES UTILISÉS DANS LE DOCUMENT	2
UTILISATION	4
INSPECTION ET MAINTENANCE MENSUELLE	5
MAINTENANCE ANNUELLE	7
DÉPANNAGE	7
PIÈCES DE RECHANGE	7
GARANTIE	8



AVERTISSEMENT :

RISQUE DE DÉPART DE FEU OU D'EXPLOSION

Suivre ces consignes de sécurité à la lettre, sinon il y aurait risque de blessures graves, de mort ou de dégâts matériels.

- Ne pas stocker ni utiliser d'essence ou d'autres vapeurs ou liquides inflammables à proximité de cet appareil ou de tout autre.
- QUE FAIRE EN CAS D'ODEUR DE GAZ
 - Évacuer toutes les personnes du véhicule.
 - Couper l'arrivée de gaz à la bonbonne ou à la source.
 - Ne pas toucher d'interrupteur électrique ni utiliser de téléphone ou de radio dans le véhicule.
 - Ne pas démarrer le moteur du véhicule ou le groupe électrogène.
 - Contacter le fournisseur de gaz le plus proche ou un agent technique qualifié pour une réparation.
 - Si un fournisseur de gaz ou un agent technique qualifié n'est pas joignable, contacter la caserne de pompiers la plus proche.
 - Ne pas ouvrir l'arrivée de gaz tant que la ou les fuites de gaz n'ont pas été réparées.
- L'installation et la maintenance doivent être réalisées par un installateur qualifié, un centre de réparation ou le fournisseur de gaz.



Lisez attentivement ces instructions. Ces instructions DOIVENT rester avec ce produit.

INTRODUCTION

Ce manuel sert de guide de référence d'utilisation et d'entretien des chaudières Dometic série DF. Pour tout renseignement complémentaire, contacter Dometic. Cette chaudière série DF (ci-après appelée « la chaudière ») a été certifiée et conçue comme une chaudière MSP Catégorie III et elle est destinée à une installation à l'intérieur d'un véhicule récréatif (ci-après appelé « VR »). Suivez ces instructions pour garantir l'installation et la maintenance correctes de la chaudière. Le non-respect des instructions d'installation et d'entretien de la chaudière mènera à l'annulation de la garantie.

La Dometic Corporation se réserve le droit de modifier l'apparence et les caractéristiques techniques de l'appareil sans préavis.

CONSIGNES DE SÉCURITÉ IMPORTANTES ET SYMBOLES UTILISÉS DANS LE DOCUMENT

Ce manuel contient des consignes de sécurité et des instructions pour aider l'utilisateur à éliminer ou réduire le risque d'accidents et de blessures.

A. Reconnaître les consignes de sécurité



C'est le symbole d'alerte à la sécurité. Il signale des risques de blessures physiques. Obéir à tous les messages de sécurité qui suivent ce symbole pour éviter les risques de blessure ou de mort.

B. Comprendre les mots-indicateurs

Un mot-indicateur identifie les messages de sécurité et les messages liés aux dégâts matériels, et signale le degré ou niveau de gravité du danger.

⚠ AVERTISSEMENT indique une situation dangereuse qui, si elle **N'EST PAS** évitée, peut causer la mort ou des blessures graves.

⚠ ATTENTION indique une situation dangereuse qui, si elle **N'EST PAS** évitée, peut causer des blessures mineures ou modérées.

AVIS est utilisé pour signaler des pratiques **NON** liées à une blessure physique.

i Fournit des renseignements additionnels sans rapport avec des blessures physiques.

C. Directives supplémentaires



Lire et suivre toutes les consignes de sécurité et les instructions pour éviter tout risque de blessure ou de mort.

Lire et comprendre ces instructions avant d'installer ce produit.

L'installation incorrecte de ce produit peut causer des blessures graves ou la mort.

L'installation **DOIT** se conformer à tous les codes locaux ou nationaux applicables, y compris la toute dernière édition des normes suivantes :

ÉTATS-UNIS

- ANSI/NFPA70, Code national de l'électricité (CNE)
- ANSI/RVIA LV, Systèmes basse tension dans des véhicules récréatifs et aménagés
- ANSI/NFPA 1192, Code des véhicules récréatifs
- ANSI Z223.1, NFPA 54 Code national sur les gaz combustibles
- ANSI 1195, Roulottes de parc

CANADA

- CSA C22.1, Parties I et II, Code canadien de l'électricité
- CSA Z240 RV Series, véhicules récréatifs
- CAN/CGA B149, Code d'installation du gaz naturel et du propane

D. Messages de sécurité d'ordre général

⚠ AVERTISSEMENT Le non-respect des avertissements pourrait entraîner des dégâts matériels, des blessures graves ou la mort :

- Cette chaudière **DOIT** être installée, réparée et entretenue par un agent technique qualifié.
- **NE PAS** modifier cette chaudière d'une quelconque manière. Une modification peut être extrêmement dangereuse.

CONSIGNES DE SÉCURITÉ IMPORTANTES ET SYMBOLES UTILISÉS DANS LE DOCUMENT

- RISQUE DE DÉPART DE FEU OU D'EXPLOSION :
 - **NE PAS** stocker d'essence, de chiffons saturés d'huile ou d'essence ou d'autres vapeurs ou liquides inflammables à l'intérieur d'un compartiment de stockage.
 - **AVANT** de faire le plein ou de se garer près d'une pompe à essence, s'assurer que l'arrivée de gaz de TOUS les appareils au gaz propane liquide (PL) (ventilés vers l'extérieur du VR) est fermée. Sinon, les vapeurs de pompe à essence risquent d'entrer en contact avec la flamme de la veilleuse d'un appareil au gaz PL et de s'enflammer.
 - Fermer l'arrivée de gaz PL à la bonbonne.
 - Tenir la chaudière à l'écart de matériaux isolants, qui peuvent être combustibles. Examiner la zone de la chaudière après l'installation ou quand un isolant est ajouté.
 - Utiliser uniquement avec le type de gaz approuvé pour la chaudière. Se reporter à la plaque signalétique de la chaudière.
 - Tous les modèles DFSA, DFS, DFM et DFLD : LP SEULEMENT
 - Tous les modèles DFLA : PL ou gaz naturel
 - **NE PAS** trop remplir les bonbonnes de gaz PL. Les bonbonnes de PL doivent être remplies par un fournisseur de gaz qualifié seulement. Suivre les instructions d'utilisation du fabricant de la bonbonne, indiquées dessus.
 - Arrêter immédiatement la chaudière et appeler un réparateur si la chaudière fonctionne de manière irrégulière ou a un retard à l'allumage.
 - Si l'arrivée de gaz ne se ferme pas ou si une surchauffe se produit, fermer le robinet de gaz de la chaudière avant de couper l'alimentation électrique.
 - Utiliser uniquement des pièces de rechange et composants Dometic, qui sont spécifiquement approuvés pour une utilisation avec la chaudière.
- AVERTISSEMENTS CRITIQUES LIÉS AU FONCTIONNEMENT :
 - **NE PAS** utiliser la zone de l'armoire de la chaudière comme compartiment de stockage.
 - **NE PAS** placer de matériaux isolants, de vêtements ou de matériaux inflammables sur ou près de la chaudière.
 - **NE PAS** utiliser comme chauffage temporaire d'édifices ou structures en cours de construction.
 - **NE PAS** utiliser la chaudière si n'importe laquelle de ses pièces a été immergée.
 - **NE PAS** utiliser de nettoyant à base de pétrole ou du type à agrumes sur des pièces en plastique, sinon il y aurait risque de dommages.
 - **NE PAS** restreindre les conduites ou boucher les registres de sortie d'air de la chaudière et les grilles d'air de reprise.
 - **NE PAS** installer de grillage sur l'admission d'air ou les bouches d'échappement pour quelque raison que ce soit.
 - **NE PAS** installer de boosters d'air dans les conduites.
 - **NE PAS** toucher les grilles d'échappement extérieures pendant le fonctionnement de la chaudière.
 - Surveiller les jeunes enfants qui se trouvent dans la même pièce que la chaudière.
 - Tous les bords de tôle sont coupants; faire attention en manipulant ou en touchant les bords.
 - Protéger les composants électriques de l'eau.
 - Protéger les matériaux de construction contre la dégradation résultant des échappements de gaz de l'unité de ventilation.
 - Le compartiment doit être fermé lorsque la chaudière fonctionne.
- DANGER LIÉ AU MONOXYDE DE CARBONE :
 - Cette chaudière peut produire du monoxyde de carbone, un gaz inodore potentiellement mortel. Le brûleur et le système de ventilation **DOIVENT** être maintenus propres.
 - **NE PAS** faire fonctionner la chaudière si la ventilation se fait dans une pièce avec les panneaux « privé » fermés. Au moins un panneau **DOIT** être ouvert pour la ventilation lorsque la chaudière est en marche.
 - Les portes **DOIVENT** être hermétiquement fermées et le chapeau et l'unité de tirage **DOIVENT** être ajustés et hermétiquement fermés pour éviter l'entrée de monoxyde de carbone dans le VR.
 - **NE PAS** laisser de neige ou quelque objet que ce soit obturer le système d'échappement de la chaudière.
 - Les produits de combustion **DOIVENT** être correctement évacués dans l'atmosphère pour que tout l'air de combustion fourni au brûleur soit puisé dans l'atmosphère extérieure.
 - Utiliser uniquement des pièces de rechange et composants Dometic, qui sont spécifiquement approuvés pour une utilisation avec la chaudière.
- RISQUE DE DÉCHARGE ÉLECTRIQUE :
 - Les chaudières avec une fiche 12 V (c.c.) sont destinées à une batterie basse tension ou du courant continu seulement. **NE PAS** brancher sur du 120 ou 240 V c.a..
 - Cette chaudière a été conçue pour fonctionner sur du 12 V c.c. à masse négative seulement. **NE PAS** essayer de modifier la chaudière pour un système à masse positive ni la brancher directement sur du 120 ou du 240 V c.a.
 - **NE PAS** utiliser de chargeur de batterie pour alimenter des chaudières c.c., même lors de tests.
 - Utiliser uniquement des pièces de rechange et composants Dometic, qui sont spécifiquement approuvés pour une utilisation avec la chaudière.

MODE D'EMPLOI

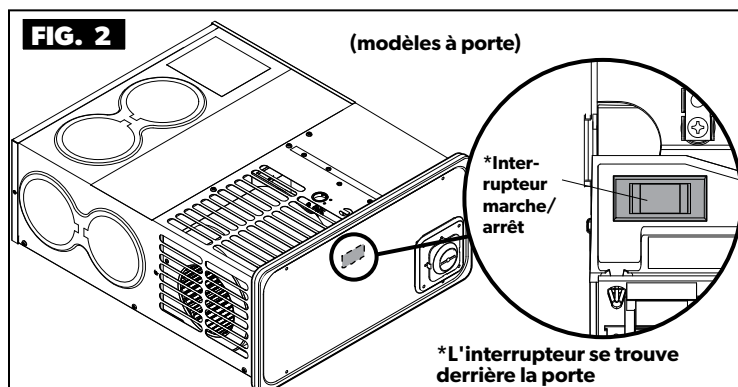
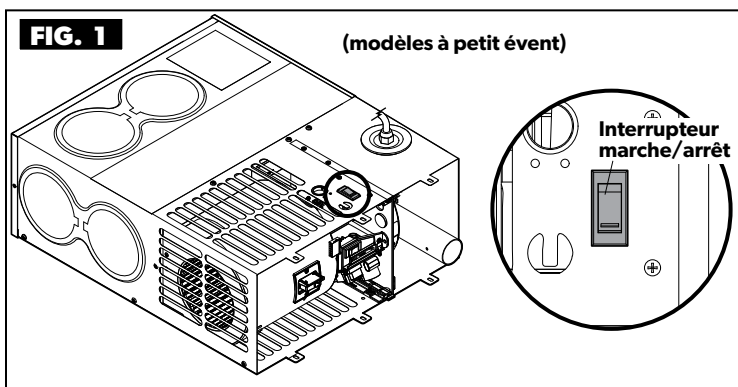
⚠ AVERTISSEMENT RISQUE DE DÉPART DE FEU OU D'EXPLOSION. Le non-respect des avertissements pourrait entraîner des dégâts matériels, des blessures graves ou la mort :

- Cette chaudière n'a pas de veilleuse. Elle est équipée d'un dispositif d'allumage qui allume automatiquement le brûleur. **NE PAS** essayer d'allumer manuellement le brûleur.
- **AVANT DE FAIRE FONCTIONNER LA CHAUDIÈRE**, vérifier l'odeur de gaz dans la zone à proximité et le sol, et contrôler le raccord avec une solution de test de fuite. **NE PAS** continuer en cas d'odeur de gaz à proximité de la chaudière ou au niveau du sol. Suivre les instructions dans l'encadré des avertissements sur la page de couverture.
- Tourner le robinet de régulation de gaz à la main **SEULEMENT**. **NE JAMAIS** utiliser d'outils. Si le robinet ne tourne pas à la main, **NE PAS** essayer de le réparer. Appeler un agent technique qualifié.

i Lire ce qui suit **AVANT** de continuer :

- Au premier allumage de la chaudière, le brûlage de l'excès de peinture et d'huiles de fabrication résiduels risque de causer des fumées pendant 5 à 10 minutes.
- La chaudière est équipée d'un interrupteur de marche/arrêt. Le gaz n'atteindra pas le brûleur et la chaudière ne fonctionnera pas avec l'interrupteur de marche/arrêt en position Arrêt.
 - Les modèles à porte ont un interrupteur marche/arrêt à l'intérieur de la porte.
 - Les modèles sans porte (LD ou petit événement) ont un interrupteur marche/arrêt sur l'extérieur de la chaudière.

A. Mise en marche de la chaudière

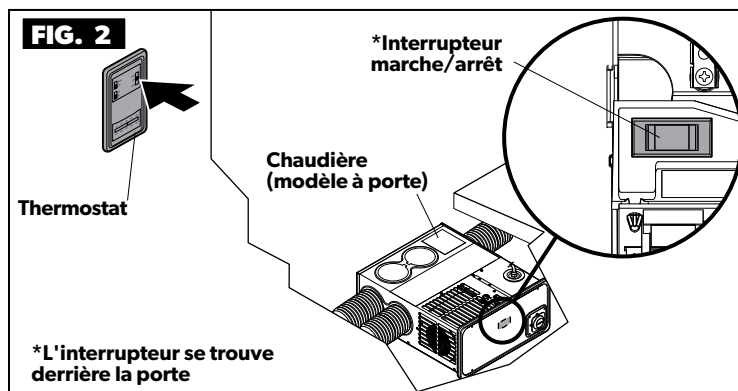
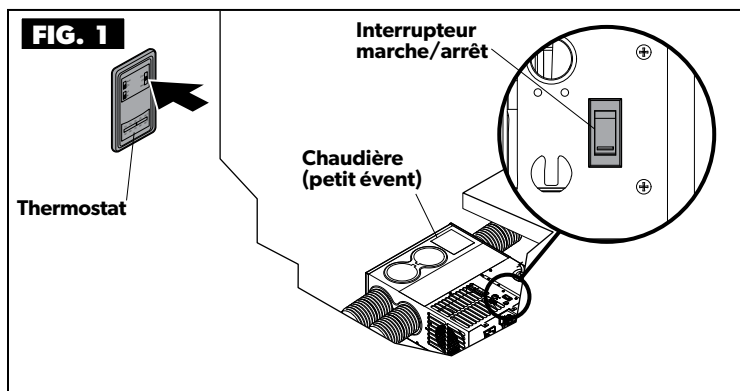


- Régler le thermostat à la valeur la plus basse.
- Couper toute l'alimentation de la chaudière à l'interrupteur général.
- Au panneau d'accès extérieur, tourner l'interrupteur de la chaudière sur la position Arrêt.
- Attendre 5 minutes, puis vérifier l'odeur de gaz.
 - En présence d'une odeur de gaz près de la chaudière ou au niveau du plancher, suivre les instructions dans l'encadré des avertissements sur la page de couverture.
 - En l'absence d'odeur de gaz, passer à l'étape suivante.
- Au panneau d'accès extérieur, tourner l'interrupteur de la chaudière sur la position Marche.
- Mettre sous tension au niveau de l'interrupteur général.
- Régler le thermostat à la température souhaitée.

i Si la chaudière ne fonctionne pas, suivre les instructions « B. Arrêt de la chaudière » à la page 5 et appeler un agent technique qualifié.

MODE D'EMPLOI

B. Arrêt de la chaudière



- Régler le thermostat à la valeur la plus basse, puis mettre en position Arrêt.
- Tourner le robinet d'arrêt manuel à la bonbonne de PL (le cas échéant) en position fermée. **NE PAS** forcer pour fermer le robinet.
- Au panneau d'accès extérieur, tourner l'interrupteur de la chaudière sur la position Arrêt.

INSPECTION ET ENTRETIEN MENSUEL

⚠ AVERTISSEMENT RISQUE DE DÉCHARGE ÉLECTRIQUE, DE DÉPART DE FEU OU D'EXPLOSION. Le non-respect des avertissements suivants pourrait entraîner un fonctionnement dangereux, des dégâts matériels, des blessures graves ou la mort :

- Ne jamais essayer de réparer soi-même la chaudière. Contacter un agent technique qualifié.
- Une maintenance inadaptée peut se solder par un fonctionnement dangereux, des blessures graves, la mort ou des dégâts matériels.
 - Avant toute maintenance, couper toute l'alimentation électrique de la chaudière.
 - Lors d'une maintenance sur les commandes, étiqueter tous les fils avant de les débrancher. Rebrancher correctement les fils.
 - Vérifier le bon fonctionnement après une maintenance.
- Maintenir la chaudière, les compartiments de commande, les brûleurs et les passages d'air en circulation propres et dégagés. Un nettoyage plus fréquent pourra être nécessaire en cas de peluches excessives provenant de moquette, fibres de literie, poils d'animaux de compagnie, etc.
- **NE PAS** utiliser de nettoyeur à base de pétrole ou du type à agrumes sur des pièces en plastique, sinon il y aurait risque de dommages.

AVIS Le moteur est lubrifié à vie et n'a pas besoin d'être huilé.

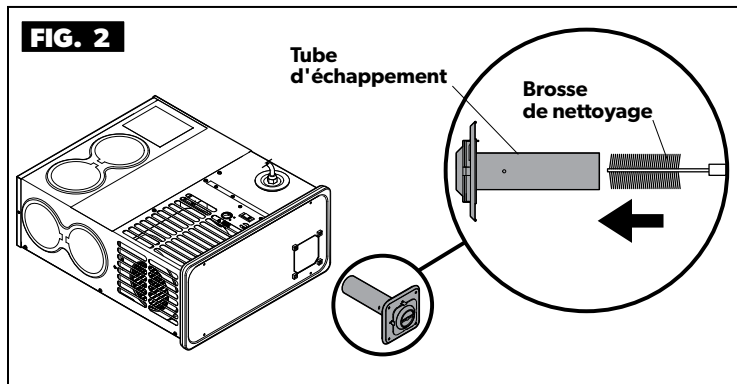
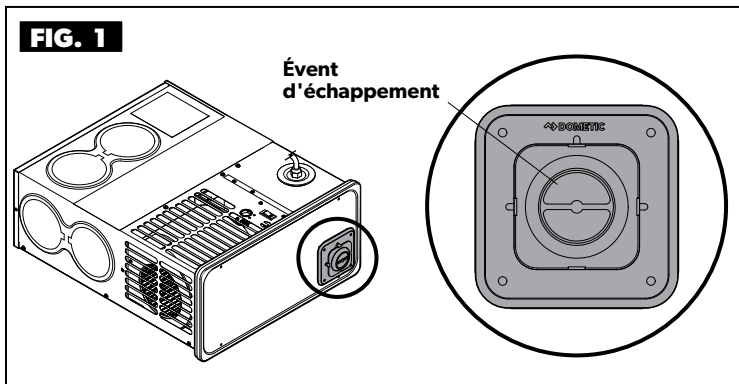
A. Réparations et entretien

i Des inspections annuelles doivent être effectuées par un agent technique qualifié.

UNE FOIS PAR MOIS	UNE FOIS PAR AN
À réaliser par le propriétaire/l'utilisateur :	À réaliser par un agent technique qualifié :
ÉVÉNEMENTS ET TUBES D'ÉCHAPPEMENT : voir « B. Inspection des événements et des tubes d'échappement » à la page 6.	
CHAMBRE : voir « C. Inspection de la chambre » à la page 6.	
SOCLE DE MONTAGE : voir « D. Inspection du socle » à la page 6.	Voir « Maintenance annuelle » à la page 7.
UNITÉ DE VENTILATION : voir « E. Inspection de l'unité de ventilation » à la page 6.	

INSPECTION ET ENTRETIEN MENSUEL

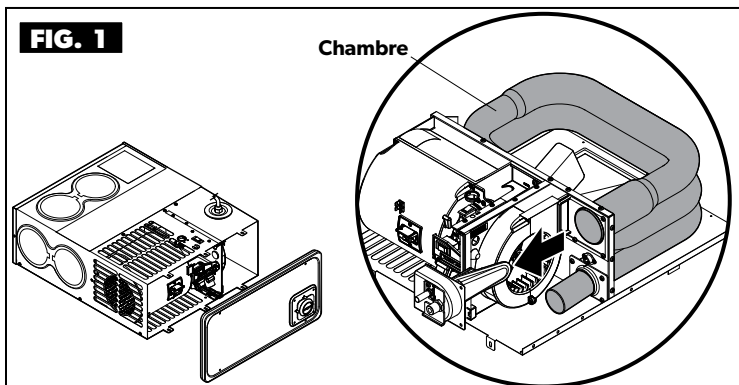
B. Inspection des événements et des tubes d'échappement



- Inspecter la ventilation de la chaudière. Confirmer que les événements expulsent correctement les gaz d'échappement dans l'atmosphère et que l'unité de ventilation est bien plaquée contre la porte extérieure.
- Inspecter l'évent pour vérifier l'absence d'obstructions ou la présence de suie. Si de la suie est présente, arrêter immédiatement la chaudière et contacter son concessionnaire ou un agent technique qualifié.

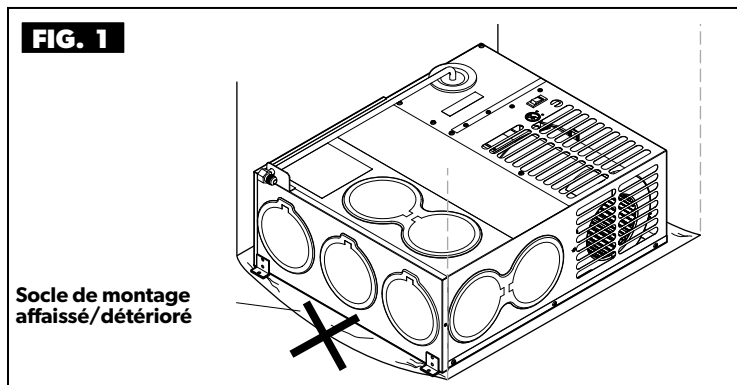
- Inspecter les tubes d'échappement de la chaudière (obturation, chevauchement, trous ou suie).
- Tous les tubes du système d'échappement **DOIVENT** se chevaucher sur 3,1 cm minimum.
- Tous les tubes d'admission d'air **DOIVENT** se chevaucher sur 1,2 cm minimum.
- Maintenir les tubes propres et dégagés.

C. Inspection de la chambre



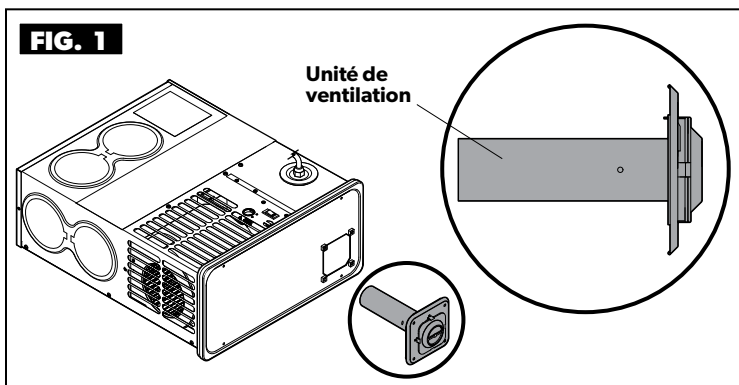
- Inspecter la chambre et le système de ventilation pour vérifier les trous ou une corrosion excessive.

D. Inspection du socle



- Confirmer que le socle de montage de la chaudière ne s'affaisse ou ne se détériore pas.

E. Inspection de l'unité de ventilation



- Inspecter la chaudière, la ventilation, les conduits et la tuyauterie de gaz pour dépister les signes évidents de détérioration. Corriger tout défaut.

MAINTENANCE ANNUELLE

⚠ AVERTISSEMENT RISQUE DE DÉCHARGE ÉLECTRIQUE, DE DÉPART DE FEU OU D'EXPLOSION. Le non-respect des avertissements suivants pourrait entraîner un fonctionnement dangereux, des dégâts matériels, des blessures graves ou la mort :

- Une maintenance inadaptée peut se solder par un fonctionnement dangereux, des blessures graves, la mort ou des dégâts matériels.
 - Avant toute maintenance, couper toute l'alimentation électrique de la chaudière.
 - Lors d'une maintenance sur les commandes, étiqueter tous les fils avant de les débrancher. Rebrancher correctement les fils.
 - Vérifier le bon fonctionnement après une maintenance.
- Entretien correctement la chaudière, sinon il y a risque d'annulation de sa garantie et de dégâts matériels, de blessures graves ou de mort.

i Un agent technique VR qualifié doit effectuer l'entretien préventif et les contrôles de sécurité suivants UNE FOIS PAR AN.

ROUE DE SOUFFLERIE : nettoyer et dégager toutes les obstructions.	JOINTS : inspecter l'étanchéité de tous les joints.
INSPECTION DE L'ORIFICE : inspecter l'orifice une fois par an.	GÉNÉRAL : vérifier le système de soutien physique (affaissement, fissures, espaces, etc.).
BRÛLEUR : n'exige pas de réglage; inspecter une fois par an. Nettoyer le brûleur avec une brosse métallique pour enlever les débris et la corrosion accumulés.	MOTEUR : n'exige pas d'huilage. Étanche et lubrifié à vie. Inspecter une fois par an.
COMPARTIMENT DE COMMANDE : enlever les salissures et les peluches.	AIR DE REPRISE : nettoyer et dégager les obstructions.
CONDUITES : nettoyer et dégager les obstructions. Reconnecter toutes les conduites qui se sont desserrées.	VENTILATION : vérifier la position du tube d'échappement et du tube de la chambre de la chaudière.
TEST DE PRESSION DE GAZ : tester l'ensemble de la tuyauterie. Tester l'étanchéité des raccords au gaz avec une solution de test de fuite.	TENSION : vérifier l'alimentation avec des sources applicables (groupe électrogène, batterie et convertisseur).
SYSTÈME D'ALIMENTATION EN GAZ : effectuer un test de chute de pression, conformément aux normes ANSI actuelles.	CONNECTEURS DE FILS : vérifier les branchements desserrés, déconnectés ou les zones de gaine isolante usées.

DÉPANNAGE

PROBLÈME	SOLUTION
La chaudière ne s'allume pas – La soufflerie ne se met pas en marche.	<ol style="list-style-type: none"> 1. Vérifier si un fusible n'est pas grillé sur le tableau des fusibles principal. 2. Le coupe-circuit installé sur la chaudière s'est peut-être déclenché – contacter un réparateur de VR agréé. 3. La tension d'alimentation 12 V c.c. est basse; vérifier la tension du système du VR. 4. La chaudière est peut-être verrouillée. Réarmer la chaudière en mettant le thermostat sur Arrêt pendant 10 secondes, puis en le remettant sur Marche. Si de l'air se trouve dans la ligne de propane, répéter la procédure trois fois maximum. 5. Vérifier l'admission et les événements pour s'assurer qu'ils ne sont pas bouchés ou obstrués.
La chaudière ne s'allume pas – La soufflerie se met en marche.	<ol style="list-style-type: none"> 1. De l'air se trouve dans la ligne de PL. Purger l'air en allumant d'autres appareils (comme une plaque de cuisson) en aval de la bonbonne de PL. 2. Le thermostat n'est pas réglé sur Heat (Chaleur) ou à une température suffisamment élevée. Régler le thermostat.
La chaudière s'arrête avant d'atteindre la température souhaitée.	<ol style="list-style-type: none"> 1. S'assurer que tous les événements sont ouverts et non couverts. 2. Vérifier l'admission d'air pour s'assurer qu'elle n'est pas bouchée ou obstruée.

PIÈCES DE RECHANGE

⚠ AVERTISSEMENT RISQUE DE DÉCHARGE ÉLECTRIQUE, DE DÉPART DE FEU, D'EXPLOSION ET/OU DANGER LIÉ AU MONOXYDE DE CARBONE. Utiliser uniquement des pièces de rechange et composants Dometic, qui sont spécifiquement approuvés pour une utilisation avec la chaudière. Le non-respect de cet avertissement pourrait entraîner un fonctionnement dangereux, des dégâts matériels, des blessures graves ou la mort :

- Pour des informations sur les pièces de rechange, voir la liste des pièces des chaudières série DF. Pour les toutes dernières informations, visiter www.eDometic.com.



GARANTIE LIMITÉE DE DEUX ANS (CHAUDIÈRES)

LE VENDEUR NOMMÉ CI-DESSOUS OFFRE LA GARANTIE SUIVANTE POUR LE PRODUIT DOMETIC :

1. Cette garantie est accordée seulement au premier acheteur (ci-après appelé « acheteur initial »), qui fait l'acquisition du produit Dometic pour son propre ou quand le produit Dometic est installé et utilisé aux États-Unis continentaux et au Canada.
2. PÉRIODE DE GARANTIE : cette garantie sera en vigueur pendant deux (2) ans à partir de la date d'achat par l'acheteur initial. L'acheteur initial devra conserver un exemplaire de la facture datée comme preuve de la date d'achat.
3. GARANTIE : cette garantie couvre la main-d'œuvre, les pièces spécifiées et le transport. Le produit Dometic sera exempt de vices de matériau et de fabrication au moment de la vente et dans des conditions normales d'utilisation. Tous les produits Dometic (sauf ceux spécialement conçus pour un usage commercial) sont garantis seulement lorsqu'ils sont installés conformément aux instructions d'installation du vendeur sur des véhicules fabriqués conformément aux normes R.V.I.A. A119-2 et C.R.V.A. Z-240. Cette garantie ne couvre PAS les conditions sans rapport avec les matériaux et la fabrication du produit Dometic. Ces conditions sans rapport incluent, entre autres : (a) les dommages non signalés dans les 10 jours suivant l'achat; (b) les défaillances ou dommages causés par des tempêtes, la pluie, des flaques d'eau ou toute catastrophe naturelle; (c) une installation défaillante ou une installation non conforme aux instructions du vendeur ou aux normes R.V.I.A. et C.R.V.A., et tous les dommages en résultant; (d) les dommages ou une défaillance causés par l'installation d'accessoires non fabriqués et commercialisés par le vendeur ou de toute pièce non fabriquée par Dometic qui est installée comme pièce de rechange; (e) la nécessité d'un entretien préventif et tous les dommages résultant d'un manquement à une telle maintenance; (f) le non-respect des instructions d'utilisation du vendeur pour ce produit Dometic; (g) tout accident, ou utilisation impropre, de toute pièce du produit Dometic et toute altération par quelqu'un d'autre que le vendeur ou son représentant agréé; (h) problèmes esthétiques survenus en cours d'installation; (i) une usure normale; (j) utilisation abusive du produit Dometic; (k) corrosion causée par l'eau salée; (l) tout article qui entrave la circulation d'air, y compris, mais à titre non exhaustif, les moustiquaires et (m) les défauts causés par des conduites inadaptées.
4. LA GARANTIE COUVRE LES PIÈCES DOMETIC : toutes les pièces Dometic sont couvertes en vertu de cette garantie limitée.
5. Il est conseillé à l'acheteur initial d'effectuer un entretien préventif régulier, essentiellement une fois par an. L'entretien préventif suggéré est le suivant : (a) inspection et nettoyage du brûleur; (b) élimination des nids d'insectes; (C) inspection de la roue de la soufflerie. Le coût de cet entretien préventif est la responsabilité de l'acheteur initial et elle devrait prendre une heure environ.
6. POUR UNE RÉCLAMATION SOUS GARANTIE : pour faire jouer la garantie, l'acheteur initial a les deux options suivantes durant la PÉRIODE DE GARANTIE :
 - a. Option A : faire livrer ou déposer le produit Dometic pour inspection dans le centre de réparation Dometic agréé le plus proche durant la période de garantie. Pour localiser le centre de réparation Dometic agréé le plus proche, se référer à <https://www.dometic.com/en-us/us/find-a-dealer>. Le centre de réparation Dometic agréé travaillera avec le vendeur pour obtenir une couverture sous garantie si un défaut du vendeur est identifié. CONFIRMER QUE LE CENTRE DE RÉPARATION EST UN CENTRE DE RÉPARATION AGRÉÉ PAR DOMETIC. NE PAS PAYER LE CENTRE DE RÉPARATION POUR DES RÉPARATIONS SOUS GARANTIE.
 - b. Option B : s'il n'est pas possible de faire livrer ou déposer le produit Dometic à un centre de réparation agréé par Dometic, appeler le 1-800-544-4881 pour toute assistance garantie supplémentaire. Le vendeur préfère l'option A, et l'option B seulement si l'option A est jugée impossible au vu des circonstances.
7. Tout article retourné de la manière décrite au paragraphe 6 sera examiné par le centre de réparation Dometic agréé. S'il s'avère que l'article retourné était défectueux (vices de matériaux et fabrication) au moment de la vente, le centre de réparation Dometic agréé contactera le vendeur pour une couverture sous garantie. À la seule discrétion de Dometic, le vendeur réparera ou remplacera le produit Dometic ou remboursera le prix d'achat à l'acheteur initial. Si le vendeur juge que le produit Dometic doit être réparé, seules des pièces Dometic autorisées seront utilisées.
8. Le vendeur n'autorise aucune personne morale ou physique à créer des obligations sous garantie en son nom. Cette garantie n'est pas prolongée sur la base de la durée pendant laquelle l'utilisateur sera privé de l'usage du produit Dometic.
9. **LE VENDEUR NE POURRA EN AUCUN CAS ÊTRE TENU RESPONSABLE DE DOMMAGES INDIRECTS OU CONSÉCUTIFS. CECI INCLUT TOUS LES DOMMAGES SUBIS PAR UN OU D'AUTRES PRODUITS RÉSULTANT D'UN TEL DÉFAUT. CERTAINES JURIDICTIONS INTERDISANT L'EXCLUSION OU LA RESTRICTION DES DOMMAGES INDIRECTS OU CONSÉCUTIFS, IL EST DONC POSSIBLE QUE LA RESTRICTION CI-DESSUS NE S'APPLIQUE PAS A VOUS.**
10. **TOUTE GARANTIE TACITE, Y COMPRIS LA GARANTIE TACITE DE QUALITÉ COMMERCIALE ET D'ADAPTATION À UNE QUELCONQUE UTILISATION, EST LIMITÉE À LA DURÉE DE CETTE GARANTIE LIMITÉE. CERTAINS ÉTATS N'AUTORISANT PAS LES LIMITATIONS DE DURÉE DES GARANTIES TACITES, IL EST POSSIBLE QUE LA LIMITATION CI-DESSUS NE S'APPLIQUE PAS À VOUS.**
11. **CETTE GARANTIE DONNE DES DROITS SPÉCIFIQUES, AUXQUELS PEUVENT S'AJOUTER D'AUTRES DROITS VARIABLES D'UN ÉTAT À L'AUTRE.** Aucune action d'application de cette garantie ne devra commencer plus de quatre-vingt-dix (90) jours après l'expiration de la période de garantie. Les réclamations doivent être soumises par écrit au service Garanties de Dometic.
12. Le vendeur se réserve le droit de modifier la conception de tout produit Dometic sans préavis et sans obligation de modifications correspondantes sur les produits Dometic déjà fabriqués.

PROTECTION DE VOTRE NOUVEL INVESTISSEMENT

Nous apprécions que vous ayez choisi d'acheter un produit Dometic pour votre véhicule récréatif et voulons vous aider à protéger cet investissement judicieux. Dometic assortit ses produits d'une des garanties les plus complètes de l'industrie. **Enregistrez votre produit en ligne à : www.edometic.com.**

Dometic Corporation

Warranty Department
1120 North Main Street
Elkhart, Indiana 46514
1-574-294-2511
Enregistrez votre produit à
www.eDometic.com

RÉVISION A

Document n° 33403 (8/17)
(français 33404)
©2017 Dometic Corporation
LaGrange, IN 46761