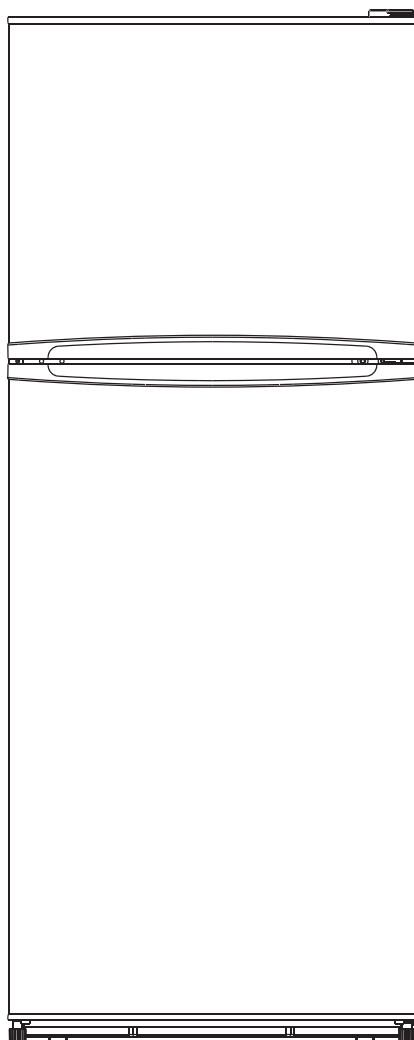




10CU. FT. TOP MOUNT REFRIGERATOR INSTRUCTION MANUAL

Model No.: 11306



To ensure proper use of this appliance and your safety, please read the following instructions completely before operating this appliance.

TABLE OF CONTENTS

FEATURES AND PARTS 3

IMPORTANT SAFETY INSTRUCTIONS..... 4-5

OPERATING YOUR REFRIGERATOR..... 6-7

INSTALLING YOUR REFRIGERATOR 7-8

CARE & MAINTENANCE 9

TROUBLESHOOTING GUIDE..... 10

Usage Note

Do not remove the back panel during installation.

1. A reliable connection is necessary for normal use. The following requirements of the unit wire and outer wire must be met to achieve an optimally reliable connection:

Wire size	The max length (Feet)
13 AWG	8 Feet
12 AWG	13 Feet
10 AWG	20 Feet
8 AWG	33 Feet
6 AWG	50 Feet
Remarks:	14 AWG wire is not recommended. 13 AWG wire or Larger is recommended.
	This DC unit is not equipped with a power source. Please purchase a power source from an authorized dealer.

2. Using a DC power supply is NOT recommended when using an AC to DC adapter or converter. Good, clean ground connections are also necessary for safe and reliable operation of the DC refrigerator.

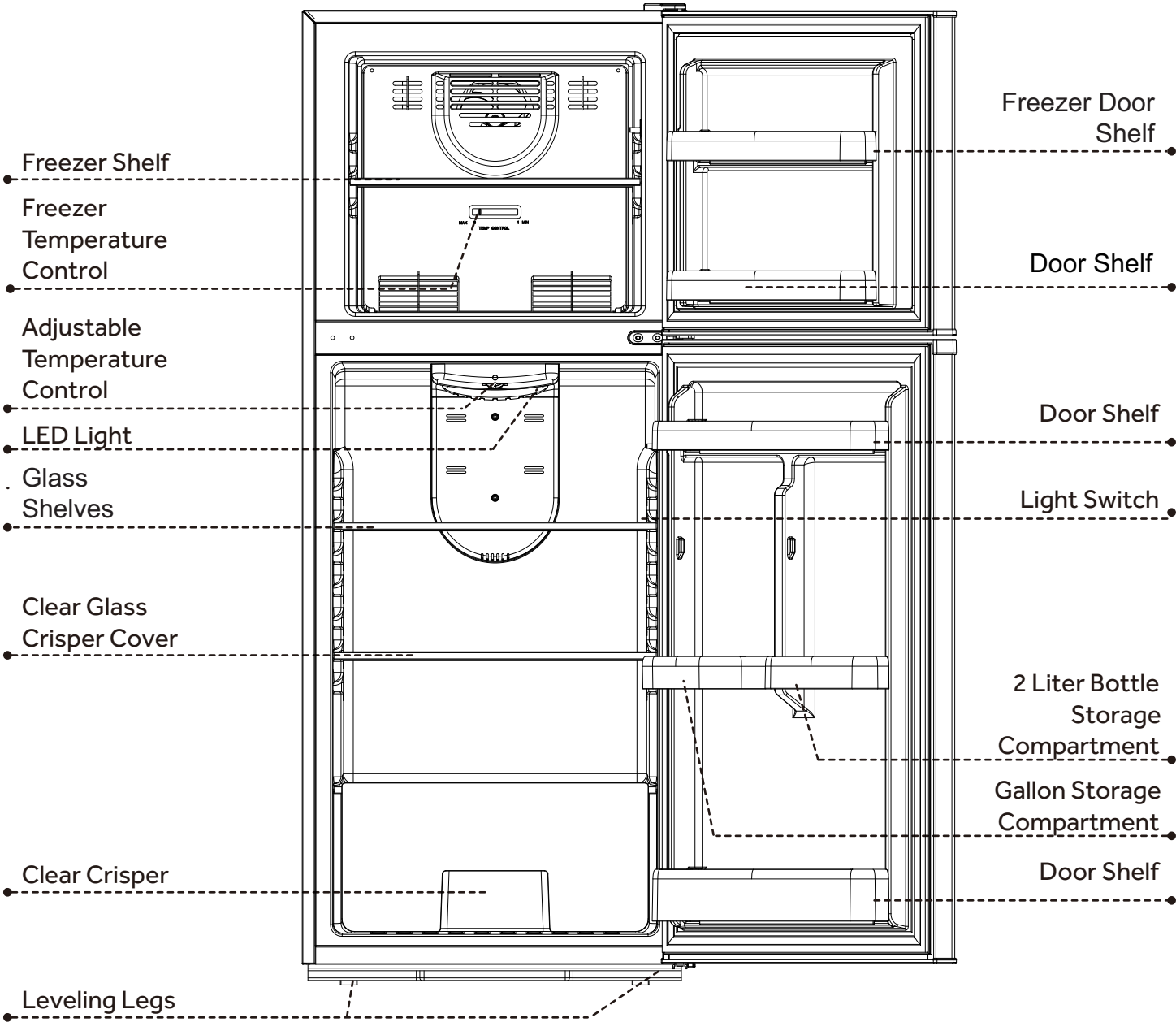
3. It is recommended that only authorized or qualified professionals perform repair services on unit.

Wire connection diagram



1. Connect ① terminal with Positive pole of 12V DC.
2. Connect ② terminal with Negative pole of 12V DC.
3. If the unit is installed in an RV, The ③ GND terminal should be connected to a metal portion of the RV.

FEATURES AND PARTS



Important Safety Instructions



WARNING

To reduce the risk of fire, electrical shock, or injury follow these safety guidelines when using your refrigerator.

- 1) **WARNING**----Do not use mechanical devices or other means to accelerate the defrosting process, other than those recommended by the manufacturer.
- 3) **WARNING**----Do not damage the refrigerant circuit to increase the risk of a leak when handle, move, clean and use of product.
- 4) **WARNING**----Do not use electrical appliances inside the food storage compartments of the appliances, unless they are of the type recommended by the manufacturer.
- 5) **WARNING**----Never allow children to play with, operate, or crawl inside the product. Risk of child entrapment. Before you throw away your old product:
 - ▲ Take off the doors
 - ▲ Leave the shelves in place so that children may not easily climb inside.
- 6) The appliance has to be unplugged before performing user maintenance.
- 7) This appliance is not intended for use by persons (including children) with reduced physical, sensory or mental capabilities, or lack of experience and knowledge, unless they have been given supervision or instruction concerning use of the appliance by a person responsible for their safety. Children should be supervised to ensure that they do not play with the appliance. Cleaning and maintenance should not be performed by children without supervision.
- 8) If the POWER CORD is damaged, it must be replaced by the manufacturer, its service agent or similar qualified persons in order to avoid a hazard.
- 9) Please dispose of the product according to local regulations as the unit contains flammable gas and refrigerant.
- 10) Follow local regulations regarding disposal of the appliance due to flammable refrigerant and gas. All refrigeration products contain refrigerants, which under the guidelines of federal law must be removed before disposal. It is the consumer's responsibility to comply with federal and local regulations when disposing of this product.
- 11) This appliance is intended to be used in household and similar environments; such as:
 - ▲ staff kitchen areas in shops, offices, and other working environments
 - ▲ farm houses and by clients in hotels, motels, and other residential type environments
 - ▲ bed and breakfast type environments
 - ▲ catering and similar non-retail applications.
- 12) Do not store or use gasoline or any flammable liquors and liquids inside or in the vicinity of product.
- 13) Do not use extension cords or ungrounded (two prong) adapters with this appliance. If the power cord is too short, have a qualified electrician install an outlet near the appliance. Use of an extension can negatively affect the performance of this appliance.

Do not store explosive substances such as aerosol cans with a flammable propellant in this appliance.

Warning: The appliance is for indoor use only.

⚠ The refrigerant and gas are flammable. When disposing of the appliance, do so only at an authorized waste disposal centre. Do not expose to flame.

⚠ Cleaning and user maintenance shall not be performed by children without supervision.

Refrigerant

The refrigerant isobutene (R600a) is contained within the refrigerant circuit of the appliance, a natural gas with a high level of environmental compatibility, which is nevertheless flammable. During transportation and installation of the appliance, ensure that none of the components of the refrigerant circuit becomes damaged.



Warning; Risk of fire/flammable materials

If the refrigerant circuits become damaged:

⚠ Avoid open flames and sources of ignition.

⚠ Thoroughly ventilate the room in which the appliance is situated.

BEFORE USING

• Before connecting the appliance to the power supply, let it stand for about 2 hours, which will reduce a possibility of malfunctions in the cooling system due to transportation.

⚠ Clean the interior and exterior of the appliance.

⚠ In case the interior accessories are not correctly placed, rearrange them as described in chapter “FEATURES AND PARTS”.

Instructions for Use

These instructions for use are intended for the user. They describe the appliance and its correct and safe use. These instructions have been prepared for several types/models of refrigerators. Therefore, these instructions may describe parts, functions, or accessories that your model does not have.

TIPS FOR ENERGY SAVING

• Try not to open the door too often, especially when the weather is wet and hot. Once you open the door, close it as soon as possible.

• Every now and then check if the appliance is sufficiently ventilated (adequate air circulation around the appliance).

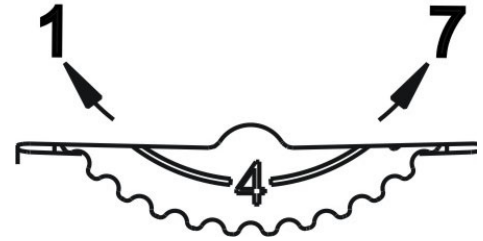
• Set thermostat from higher to lower settings as soon as possible (depends on how loaded the appliance is ambient temperature etc).

• Before loading the appliance with packages of fresh foods, make sure they are cooled to ambient temperature.

Operating Your Refrigerator

Temperature Control

The temperature control is located inside the refrigerator compartment on the top. The refrigerator compartment temperature control ranges from “1”, cold setting, to “7”, coldest setting. The first time the unit is turned on, adjust the temperature control knob to a higher (colder) setting and run for at least 24 hours before readjusting the temperature and placing food inside. This will ensure the cabinet is thoroughly chilled before food is placed into the refrigerator.



If you choose to change the thermostat setting, adjust the thermostat by one increment at a time. After each movement of the control knob, allow several hours for the unit to adjust completely. Large amounts of food may lower the cooling efficiency of the appliance.

NOTE

If the unit is unplugged or loses power; you must wait 3 to 5 minutes before restarting the unit. If you attempt to restart before this time delay, the refrigerator may not start.

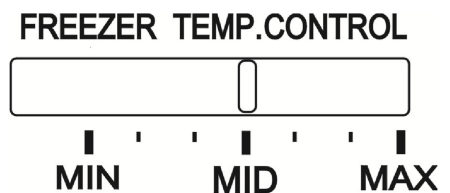
Replacing the Interior Light

Before removing the light bulb, turn the refrigerator temperature control to the “1” position. Replace the old bulb with a new bulb of the same wattage and size.

Freezer Compartment Operation

Temperature Control

Your refrigerator has one control for regulating the temperature in the freezer compartment. The freezer temperature control is located on the freezer compartment's interior back panel. For the best performance, leave the freezer control at the midpoint and adjust the refrigerator compartment temperature control. Adjust the freezer control one increment at a time until the desired temperature is reached.



NOTE

Do not store canned foods or food stored in glass containers in the freezer compartment.

IMPORTANT

DANGER: Risk of child entrapment. Remove the doors when throwing away your old fridge. Leave the shelves in place so that children cannot easily climb inside.

The appliance must be correctly connected to the power supply.

Do not use an extension cord or ungrounded (two prong) adapters.

Do not touch the cooled surfaces while the appliance operates, especially not with wet hands, because the skin may stick to the cold surfaces.

If the food has strange smell or color, throw it away, because it is very likely that it is spoiled and therefore dangerous to eat.

Disconnect the appliance from the power supply before repairing it (only a qualified technician should repair it), before cleaning.

The rating plate is inside the appliance or outside on the rear wall.

Installation Instructions

Before Using Your Refrigerator

- Remove the exterior and interior packing.
- Before connecting the refrigerator to the power source, let it stand upright for approximately 4 hours. This will reduce the possibility of a malfunction in the cooling system from improper handling during transportation.
- Clean the interior surface with lukewarm water using a soft cloth. (Cleaning instructions on page 9)

Location

- This appliance is designed to be free standing only.
- Allow 1 inch of clearance space between the back and sides of the refrigerator, to allow proper air ventilation.

Avoid Installation:

- On weak surfaces unable to support refrigerator when fully loaded.
- In direct sunlight and sources of heat (stove, heater, radiator, etc.) will hinder the performance of this appliance.

Installing Your Refrigerator

- Adjust the leveling feet to keep the refrigerator level.

Electrical Connection



WARNING

Improper use of the grounded plug can result in the risk of electrical shock. If the power cord is damaged, have it replaced by an authorized service center.

This refrigerator should be properly grounded for your safety.

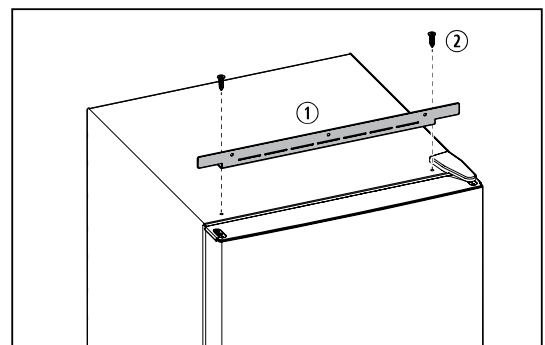
This refrigerator requires a standard 12V, electricity 15A. Direct connection with AC power source is forbidden.

Do not connect this unit to an AC power source.

To prevent accidental injury, the electrical cord should be secured behind the refrigerator, and not left exposed or dangling.

Installing the Top Mounting Bracket

- Top Mounting Bracket
 - Mounting Screw.
1. Secure the top mounting bracket to the refrigerator using the two M5 x 20 mounting screws provided
 2. Place the refrigerator completely into the enclosure.



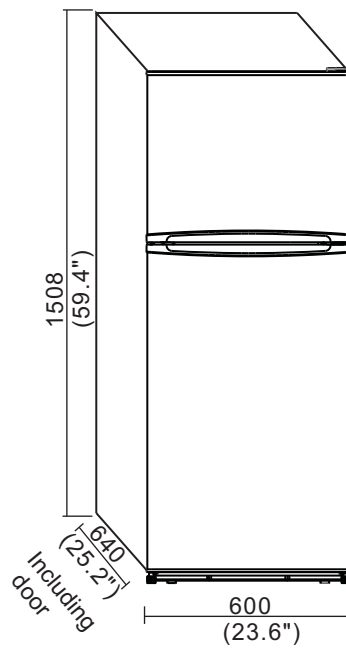
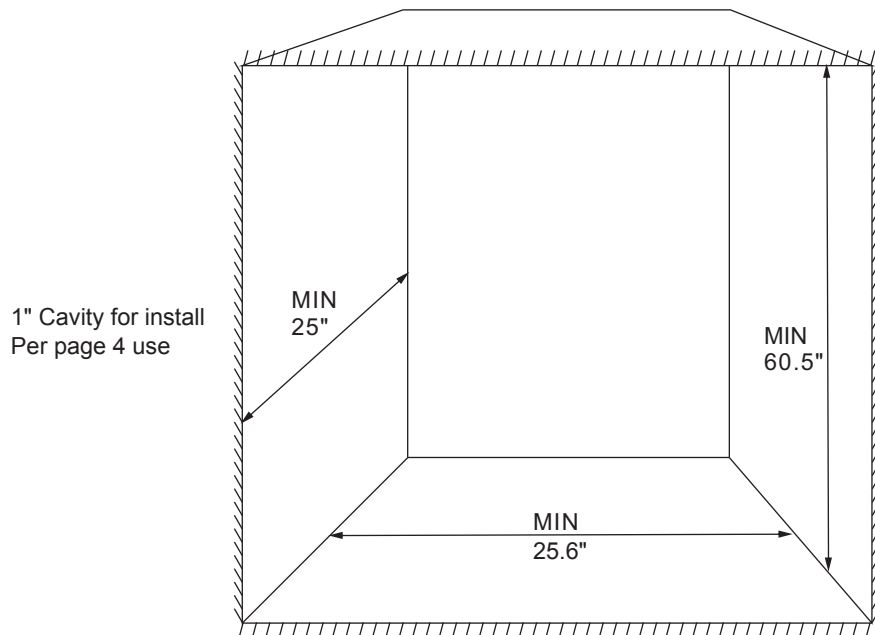
Installation

Install the refrigerator in a convenient location away from extreme heat and cold. Allow sufficient clearance between the refrigerator and side wall so the door(s) will open without obstruction. Refrigerator is not designed for recessed installation.

Select a space with strong level flooring.

Allow 1 inch of space between the refrigerator's side and the wall.

The appliance must be correctly connected to the power supply.



- Note: The door should protrude at least 1" beyond the surrounding cabinets.

Adjust the right door to the left door:

1. Remove the fixing screws of the top fixing component, take them off and place them aside for later use;
 2. Remove the hinge covers one by one. Remove the fixing screws of the upper hinge and place them aside for later use;
 3. Remove the freezer door, remove the right stopper fixing screw on the freezer door, take out the left stopper from the accessory bag of the fruit and vegetable box (put the right stopper back into the accessory bag), and fix the left stopper to the corresponding position on the left side of the freezer door with screws. After completion, place it aside for use;
 4. Remove the lock components and the fixing screws of the middle hinge in sequence, remove them and place them aside for later use;
 5. Remove the refrigeration door, remove the fixing screws of the lower stop on the refrigeration door, move the lower stop to the other side of the refrigeration door, fix it with screws after installation, and set it aside for later use;
 6. Remove the fixing screws of the fixing parts, take them off and place them aside for later use;
 7. Remove the left and right adjustment feet in sequence, and set them aside for later use;
 8. Remove the fixing screws of the lower hinge, move the lower hinge to the other side of the box, and fix it with screws;
 9. After adjusting the position of the lower left adjustment foot and the right adjustment foot, install and screw them on, and make minor adjustments to ensure that the box is in a stable state;
 10. Reuse screws to fix and install the lower fixing part;
 11. Install the lower left shaft hole of the refrigeration door corresponding to the lower hinge shaft. Rotate the removed middle hinge 180 ° and install it on the left side of the refrigeration door. After aligning the upper hole, use screws to fix it on the left side of the box. Before locking the middle hinge, make sure that the refrigeration door is flush with the side of the box;
 12. Rotate the removed lock component 180 ° and install it on the other side (left side) of the box. After the lock component is flush, use screws to tighten it;
 13. Install the lower left axis hole of the refrigeration door corresponding to the middle hinge axis. Remove the upper hinge and install it on the top left side of the box. After aligning the upper hole, use screws to fix it on the top left side of the box. Before locking the upper hinge, ensure that the refrigeration door is flush with the side of the box;
 14. Fix the hinge cover onto the upper hinge using screws;
 15. Reuse screws to secure and install the upper fixing component.
- After adjusting the reversing door, please note that materials should be handled with care during the process to avoid damage; During the process, it may be necessary to fine tune the door body and lock components to make them flat and assembled in place. Similarly, if the left door is adjusted to the right door, the opposite is true.

The Freezer Compartment

This compartment is designed for the long-term storage of frozen food. The storage life of frozen foods varies and the recommended storage time should not be exceeded. Place frozen food into the freezer as quickly as possible after purchase. If there are instructions on the packet, carefully follow these instructions regarding storage times.

Care and Maintenance

Cleaning Your Refrigerator

- Clean interior and parts with a cloth soaked in lukewarm water and baking soda solution. A solution of 2 tablespoons baking soda to a quart of water will clean and neutralize odors. Rinse and wipe dry.
- Be sure to keep the door gasket (seal) clean to keep the unit running efficiently.
- The outside of the refrigerator should be cleaned with a warm damp cloth and mild detergent. Do not use harsh or abrasive cleaners.
- Never clean refrigerator parts with flammable fluids. The fumes can create a fire hazard.

Vacation Time

- For long vacations, remove all food.
- Clean the interior and leave doors open to avoid possible odor or mold formation.
- Use extreme caution in the case of children. The unit should not be accessible to child's play.

Moving Your Refrigerator

- Disconnect the power source.
- Remove all the food and securely tape down all loose items such as shelves, drawers, and doors.
- Be sure the refrigerator stays in the upright position during transportation.

Energy Saving Tips

- The refrigerator should be located in the coolest area of the room, away from heat producing appliances or heating ducts, and out of the direct sunlight.
- Let hot foods cool to room temperature before placing in the refrigerator.
- Be sure to wrap foods properly, and wipe containers dry before placing them in the refrigerator. This cuts down on frost build-up inside the refrigerator.
- Organize and label food to reduce door openings and extended searches

Troubleshooting Guide

You can solve many common refrigerator problems easily, saving you the cost of a possible service call. Try the suggestions below to see if you can solve the problem before calling for service.

<i>Problem</i>	<i>Possible Causes</i>
Refrigerator does not operate	<ul style="list-style-type: none"> • Refrigerator is unplugged. • The circuit breaker is tripped/ fuse blown.
Compressor turns on and off	<ul style="list-style-type: none"> • The room temperature is warmer than normal • Door is left open or is frequently opened. • The refrigerator does not have the correct clearances. • The refrigerator has recently been disconnected for a period of time.
Refrigerator compartments are too warm	<ul style="list-style-type: none"> • Temperature control is not set correctly. • Door is left open or is frequently opened. • The door gasket does not seal properly. • A large amount of warm or hot food was stored recently. Wait for the refrigerator to reach its selected temperature. • The refrigerator has recently been disconnected for a period of time.
Vibrating or rattling (slight vibration is normal)	<ul style="list-style-type: none"> • Leveling legs need adjusting • Refrigerator is placed on an uneven or weak surface. • The refrigerator is touching the wall. Re-level the refrigerator and move it away from the wall.
Temperature of external refrigerator surface is warm	<ul style="list-style-type: none"> • The exterior refrigerator walls can be as much as 30°F warmer than room temperature. • This is normal while the compressor works to transfer heat from inside the refrigerator cabinet.
Moisture collects inside the refrigerator	<ul style="list-style-type: none"> • Door is left open or is frequently opened.
Moisture forms on outside of refrigerator	<ul style="list-style-type: none"> • Is normal in hot and humid weather. Air carries moisture into the refrigerator when doors are opened.
Bubbling or gurgling sounds (like boiling water)	<ul style="list-style-type: none"> • This is the normal sound of refrigerant (used to cool refrigerator) circulating throughout the system.
Popping or cracking sounds when compressor comes on	<ul style="list-style-type: none"> • This is normal. Metal parts undergo expansion and contraction, like hot water pipes. The sound will level off or disappear as refrigerator runs.
The door will not close properly	<ul style="list-style-type: none"> • The refrigerator is not on a level surface. • The gasket is dirty. • The storage basket is out of position.



**RÉFRIGÉRATEUR 10 PI.CU.
MANUEL D'INSTRUCTIONS**

MODÈLE : 11306

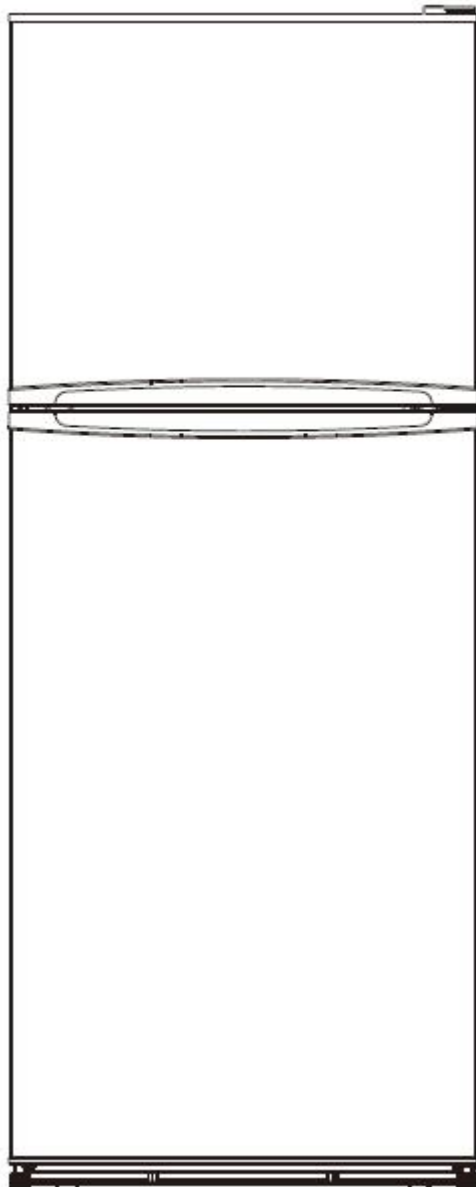


TABLE DES MATIÈRES

CARACTÉRISTIQUES ET PIÈCES..... 3

INSTRUCTIONS DE SÉCURITÉ IMPORTANTES..... 4-5

INSTRUCTION D'INSTALLATION 6

FONCTIONNEMENT DU RÉFRIGÉRATEUR..... 7

**FONCTIONNEMENT DU COMPARTIMENT
CONGÉLATEUR 8**

ENTRETIEN ET MAINTENANCE..... 9

INSTALLATION..... 10

GUIDE DE DÉPANNAGE..... 11

Note d'utilisation

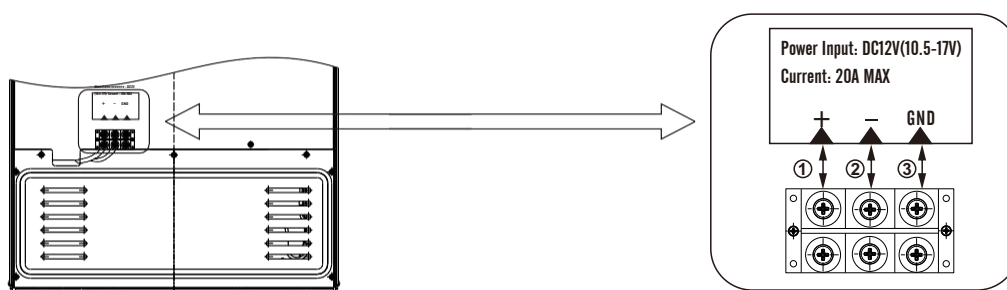
Ne retirez pas le panneau arrière pendant l'installation.

1. Pour une utilisation normale, la connexion doit être fiable. Outre la connexion appropriée de la source d'alimentation, le fil de l'unité et le fil extérieur doivent satisfaire aux exigences suivantes :

Taille du fil	La longueur maximale (Pieds)
14 AWG	3.2 Pieds
13 AWG	8 pieds
12 AWG	13 pieds
10 AWG	20 pieds
8 AWG	33 pieds
6 AWG	50 pieds
Remarques:	Le fil 14 AWG n'est pas recommandé. Fil 13 AWG ou plus est recommandé.
	Cette unité CC n'est pas équipée d'une source d'alimentation. Veuillez acheter une source d'alimentation auprès d'un concessionnaire autorisé.

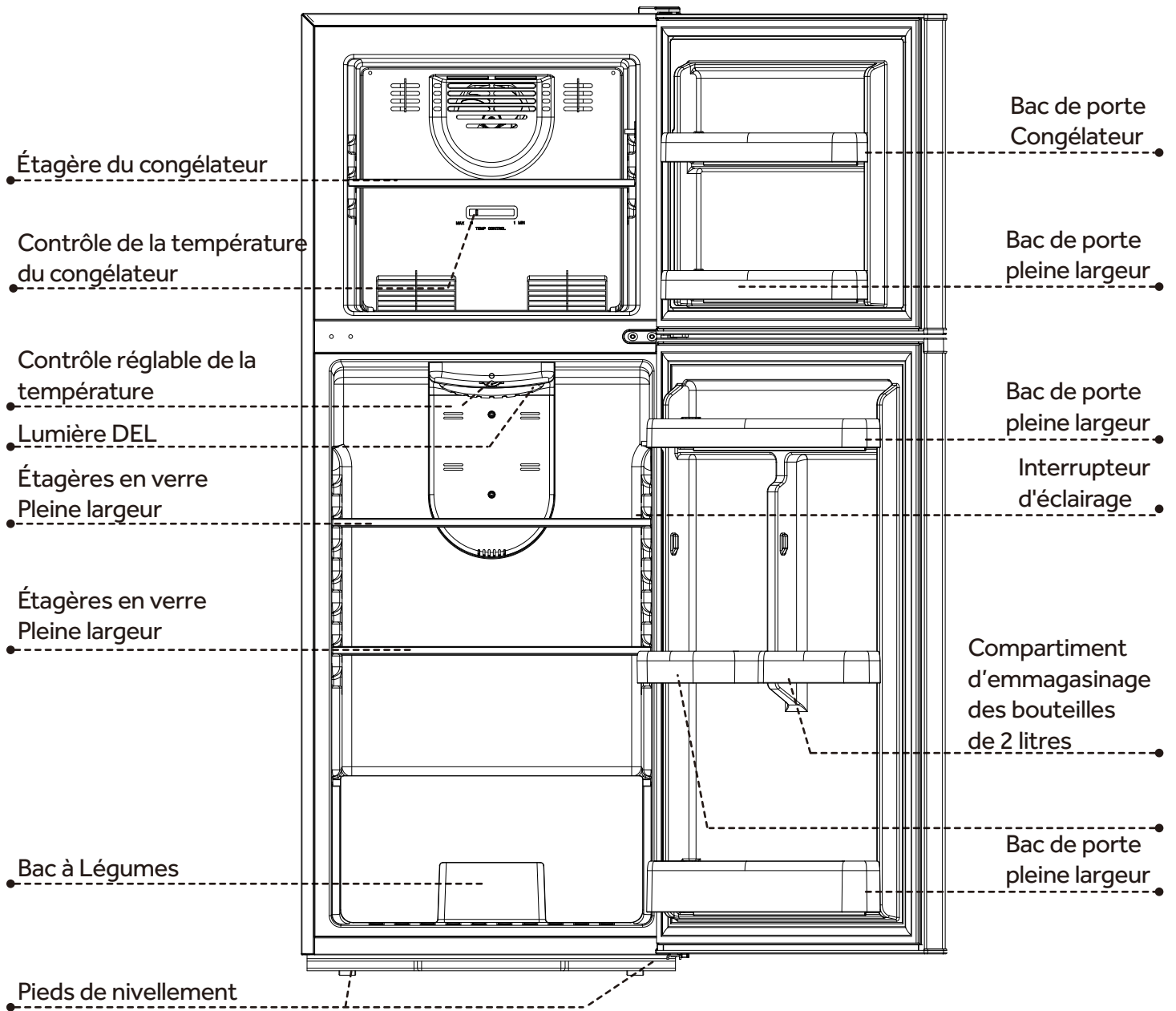
1. En cas d'utilisation d'un adaptateur ou d'un convertisseur CA à CC, il est recommandé de ne pas utiliser d'alimentation CC. Le fonctionnement du réfrigérateur CC dépend également de la qualité et de la pureté des connexions de mise à la terre.
2. Il est recommandé que seuls les professionnels autorisés ou qualifiés effectuent des services de réparation sur l'appareil.

Schéma de connexion filaire



1. Connect ① terminal avec pôle positif de 12V CC.
2. Connect ② terminal avec pôle négatif de 12V CC.
3. Si l'unité est installée dans un VR, *Le terminal ③* GND doit être connecté à une partie métallique du VR

CARACTÉRISTIQUES ET PIÈCES



Instructions de sécurité importantes



Pour réduire le risque d'incendie, de choc électrique ou de blessure, suivez ces précautions de base lors de l'utilisation de votre réfrigérateur.

- 1) **AVERTISSEMENT**---- Ouvrir la ventilation, dans l'enceinte de l'appareil ou dans la structure intégrée, exemptes d'obstruction.
- 2) **AVERTISSEMENT**---- N'utilisez pas de dispositifs mécaniques ou d'autres moyens pour accélérer le procédé de dégivrage, autre que ceux recommandés par le fabricant.
- 3) **AVERTISSEMENT** N'endommagez pas le circuit de réfrigérant pour augmenter le risque de fuite lorsque manipuler, déplacer, nettoyer et utiliser le produit.
- 4) **AVERTISSEMENT**---- N'utilisez pas d'appareils électriques à l'intérieur des compartiments de rangement des aliments des appareils, à moins qu'ils ne soient du type recommandé par le fabricant.
- 5) **AVERTISSEMENT DANGER** : Ne jamais permettre aux enfants de jouer, d'opérer ou de ramper à l'intérieur du produit. Risque de coincements de l'enfant. Avant de jeter votre ancien produit :
 - Enlevez les portes
 - Laissez les étagères en place afin que les enfants ne puissent pas facilement grimper à l'intérieur.
- 6) L'appareil doit être débranché avant d'effectuer la maintenance de l'utilisateur sur l'appareil.
- 7) Cet appareil n'est pas destiné à être utilisé par des personnes (y compris des enfants) avec des capacités physiques, sensorielles ou mentales, ou le manque d'expérience et de connaissances, à moins qu'ils n'aient reçu une supervision ou une instruction concernant l'utilisation de l'appareil par une personne responsable de leur sécurité. Les enfants devraient être supervisés pour s'assurer qu'ils ne jouent pas avec l'appareil. Le nettoyage et l'entretien ne doivent pas être effectués par des enfants sans surveillance.
- 8) Si le CORDON D'ALIMENTATION est endommagé, il doit être remplacé par le fabricant, son service ou personnes qualifiées similaires afin d'éviter un danger.
- 9) Veuillez abandonner le produit conformément aux réglementations locales car l'unité contient du gaz et du réfrigérant inflammables.
- 10) Suivre les réglementations locales concernant l'élimination de l'appareil en raison de l'inflammable réfrigérant et gaz. Tous les produits de réfrigération contiennent des réfrigérants qui, selon les directives de la loi fédérale, doivent être éliminés avant d'être éliminés. Il est de la responsabilité du consommateur de se conformer aux réglementations fédérales et locales lors de l'élimination de ce produit.
- 11) Cet appareil est destiné à être utilisé dans des environnements domestiques et similaires ; tels que :
 - Le personnel dans les magasins, les bureaux et d'autres environnements de travail ;
 - Les maisons de ferme et par les clients dans les hôtels, les motels et d'autres environnements de type résidentiel ;
 - Les environnements de type "bed and breakfast" ;
 - La restauration et les applications similaires non liées à la vente au détail.
- 12) N'entrez ni n'utilisez pas d'essence ou de liqueurs et de liquides inflammables à l'intérieur ou à proximité du produit.
- 13) N'utilisez pas de rallonges ou d'adaptateurs non mis à la terre (à deux broches) avec cet appareil. Si le cordon d'alimentation est trop court, demandez à un électricien qualifié d'installer une prise près de l'appareil. L'utilisation d'une extension peut affecter négativement les performances.

N'entrez pas de substances explosives telles que des bombes aérosols avec un propergol inflammable dans cet appareil.

Avertissement : Cet appareil ne peut pas être utilisé en camping.

Avertissement : Cet appareil ne peut pas être utilisé dans les transports en commun.

Avertissement : L'appareil doit être utilisé à l'intérieur seulement.

- Le réfrigérant et le gaz de soufflage isolant sont inflammables. Lorsque vous vous débarrassez de l'appareil, ne le faites qu'à un centre d'élimination des déchets autorisé. Ne vous exposez pas à la flamme.
- Le nettoyage et l'entretien de l'utilisateur ne doivent pas être effectués par des enfants sans supervision.

Réfrigérant

Le réfrigérant isobutène (R600a) est contenu dans le circuit réfrigérant de l'appareil, un gaz naturel avec un haut niveau de compatibilité environnementale, qui est néanmoins inflammable. Pendant le transport et l'installation de l'appareil, assurez-vous qu'aucun des composants du circuit de réfrigérant n'est endommagé.



Avertissement ; Risque d'incendie/matériaux inflammables

Si les circuits frigorigènes sont endommagés :

- Évitez les flammes nues et les sources d'inflammation.
- Ventiler soigneusement la pièce dans laquelle se trouve l'appareil.
-

AVANT LA MISE EN SERVICE

- Avant de connecter l'appareil à l'alimentation, laissez-le reposer pendant environ 2 heures, ce qui réduira la possibilité de dysfonctionnements du système de refroidissement dus à la manutention du transport.
- Nettoyez l'appareil et soyez minutieux, en particulier à l'intérieur.
- Dans le cas où les accessoires intérieurs ne sont pas correctement placés, réorganisez-les comme décrit au chapitre « NOM DES PIÈCES ».

Mode d'emploi

Ces instructions d'utilisation sont destinées à l'utilisateur. Ils décrivent l'appareil et son utilisation correcte et sûre. Ils ont été préparés pour divers types / modèles de réfrigérateurs, vous pouvez donc y trouver une description de certaines fonctions et accessoires que votre appareil n'a pas.

CONSEILS POUR ÉCONOMISER DE L'ÉNERGIE

- Essayez de ne pas ouvrir la porte trop souvent, surtout lorsque le temps est humide et chaud. Une fois que vous ouvrez la porte, pensez à la fermer dès que possible.
- De temps en temps, vérifiez si l'appareil est suffisamment ventilé (air adéquat circulation autour de l'appareil).
- Régler le thermostat de réglages supérieurs à inférieurs dès que possible (dépend de la charge de l'appareil est la température ambiante, etc.).
- Avant de charger l'appareil avec des emballages d'aliments frais, assurez-vous qu'ils sont refroidi à la température ambiante.

IMPORTANT

- **DANGER** : Risque de coincement de l'enfant. Avant de jeter votre vieux réfrigérateur : Enlevez les portes.
Laissez les étagères en place afin que les enfants ne puissent pas facilement grimper à l'intérieur.
- L'appareil doit être correctement connectée à l'alimentation électrique.
- N'utilisez pas de rallonges ou d'adaptateurs non mis à la terre (à deux broches).
- Ne touchez pas les surfaces refroidies pendant que l'appareil fonctionne, surtout pas avec les mains mouillées, car la peau peut coller aux surfaces froides.
- Si la nourriture a une odeur ou une couleur étrange, jetez-la, car il est très probable qu'elle soit gâtée et donc dangereuse à manger.
- Débranchez l'appareil de l'alimentation avant de le réparer (seul un technicien qualifié doit le réparer), avant de le nettoyer.
- La plaque d'évaluation se trouve à l'intérieur de l'appareil ou à l'extérieur sur la paroi arrière.

Instructions d'installation

Avant d'utiliser votre réfrigérateur

- Retirez l'emballage extérieur et intérieur.
- Avant de connecter le réfrigérateur à la source d'alimentation, laissez-le reposer debout pendant environ 4 heures. Cela réduira la possibilité d'un dysfonctionnement du système de refroidissement en raison d'une mauvaise manipulation pendant le transport.
- Nettoyez la surface intérieure avec de l'eau tiède à l'aide d'un chiffon doux.
(Instructions de nettoyage à la page 9)

Situation géographique

- Cet appareil est conçu pour être autonome uniquement.
- Prévoyez un espace de dégagement de 1 pouce entre l'arrière et les côtés du réfrigérateur, ce qui permet une bonne ventilation de l'air.
- **Évitez l'installation:**
 - Sur les surfaces faibles incapables de supporter le réfrigérateur lorsqu'il est complètement chargé.
 - En plein soleil et les sources de chaleur (poêle, appareil de chauffage, radiateur, etc.) nuiront aux performances de cet appareil.

Installation de votre réfrigérateur

- Ajustez les pieds de nivellement pour maintenir le réfrigérateur à niveau.

Connexion électrique



Une mauvaise utilisation de la prise mise à la terre peut entraîner un risque de choc électrique. Si le cordon d'alimentation est endommagé, faites-le remplacer par un centre de service autorisé.

Ce réfrigérateur doit être correctement mis à la terre pour votre sécurité.

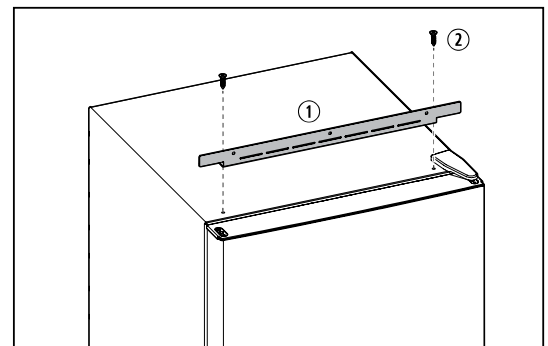
Ce réfrigérateur nécessite une norme 10.5-17V, électricité $\geq 15A$. La connexion directe avec la source d'alimentation CA est interdite.

Ne connectez pas cet appareil à une source d'alimentation CA.

Pour prévenir les blessures accidentelles, le cordon électrique doit être fixé derrière le réfrigérateur et ne pas être laissé exposé ou suspendu.

Montage top Mount stand

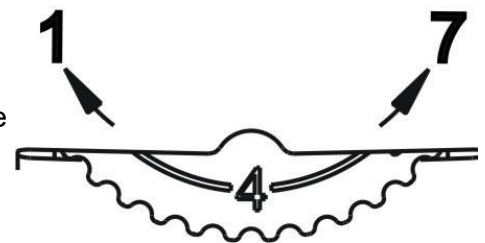
- Support de montage supérieur
 - Vis de montage.
1. Fixez le support de montage supérieur réfrigérant à l'aide des deux vis de montage M5 x 20 fournies
 2. Placez le réfrigérateur complètement dans le boîtier.



Fonctionnement du réfrigérateur

Contrôle de la température

Le contrôle de la température est situé à l'intérieur du compartiment du réfrigérateur sur le dessus. Le contrôle de la température du compartiment du réfrigérateur varie de « 1 », réglage à froid, à « 7 », réglage le plus froid. La première fois que l'unité est allumée, ajustez le bouton de contrôle de la température à un réglage plus élevé (plus froid) et courez pendant au moins 24 heures avant de réajuster la température et de placer de la nourriture à l'intérieur. Cela permettra de s'assurer que l'armoire est bien refroidie avant que les aliments ne soient placés dans le réfrigérateur.



Si vous choisissez de modifier le réglage du thermostat, réglez-le thermostat par un incrément à la fois. Après chaque mouvement du bouton de commande, prévoyez plusieurs heures pour que l'unité s'ajuste complètement. De grandes quantités de nourriture peuvent réduire l'efficacité de refroidissement de l'appareil.

NOTE

Si l'appareil est débranché ou perd de l'énergie, vous devez attendre 3 à 5 minutes avant de le redémarrer. Si vous tentez de redémarrer l'appareil avant ce délai, le réfrigérateur risque de ne pas démarrer.

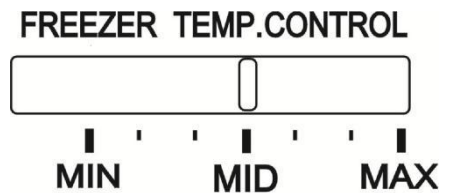
Remplacement de la lumière intérieure

Avant de retirer l'ampoule, tournez le contrôle de la température du réfrigérateur à la position « 1 ». Remplacez l'ancienne ampoule par une nouvelle ampoule de la même puissance et de la même taille.

Fonctionnement du compartiment congélateur

Contrôle de la température

Votre réfrigérateur dispose d'un seul contrôle pour réguler la température dans le compartiment congélateur. Le contrôle de la température du congélateur est situé sur le panneau arrière intérieur du compartiment congélateur. Pour de meilleures performances, laissez le contrôle du congélateur à mi-chemin et ajustez le contrôle de la température du compartiment du réfrigérateur. Ajustez le contrôle du congélateur un incrément à la fois jusqu'à ce que la température souhaitée soit atteinte.

**NOTE**

Ne conservez pas d'aliments en conserve ou dans des récipients en verre dans le compartiment congélateur.

Le compartiment congélateur

Ce compartiment est conçu pour le rangement à long terme d'aliments congelés. La durée de conservation des aliments congelés varie et le temps d'entreposage recommandé ne doit pas être dépassé.

Placez les aliments congelés au congélateur le plus rapidement possible après l'achat. S'il y a des instructions sur le paquet, suivez attentivement ces instructions concernant des temps de rangement.

Entretien et maintenance

Nettoyage de votre réfrigérateur

- Nettoyez l'intérieur et les pièces avec un chiffon imbibé d'eau tiède et de solution de bicarbonate de soude. Une solution de 2 cuillères à soupe de bicarbonate de soude à une pinte d'eau nettoiera et neutralisera les odeurs. Rincer et essuyer.
- Assurez-vous de garder le joint de la porte (joint) propre pour garder l'unité fonctionnelle efficacement.
- L'extérieur du réfrigérateur doit être nettoyé avec un chiffon chaud et humide et un détergent doux. N'utilisez pas de nettoyeurs durs ou abrasifs.
- Ne nettoyez jamais les pièces de réfrigérateur avec des liquides inflammables. Les émanations peuvent créer un risque d'incendie.

Temps à l'arrêt

- Pour de longue période d'arrêt, retirez toute la nourriture.
- Nettoyez l'intérieur et laissez les portes ouvertes pour éviter une éventuelle odeur ou la formation de moisissures.
- Soyez extrêmement prudent dans le cas des enfants. L'unité ne devrait pas être accessible au jeu des enfants.

Déplacer votre réfrigérateur

- Débranchez la source d'alimentation.
- Retirez toute la nourriture et collez en toute sécurité tous les articles en vrac tels que les étagères, les tiroirs et les portes.
- Assurez-vous que le réfrigérateur reste en position verticale pendant le transport.

Conseils d'économie d'énergie

- Le réfrigérateur doit être situé dans l'endroit le plus frais de la pièce, loin des appareils produisant de la chaleur ou des conduits de chauffage, et à l'abri de la lumière directe du soleil.
- Laissez les aliments chauds refroidir à la température ambiante avant de les placer au réfrigérateur.
- Assurez-vous d'envelopper les aliments correctement et d'essuyer les contenants avant de les placer au réfrigérateur. Cela réduit l'accumulation de gel à l'intérieur du réfrigérateur.
- Organiser et étiqueter les aliments pour réduire les ouvertures de porte et les fouilles prolongées

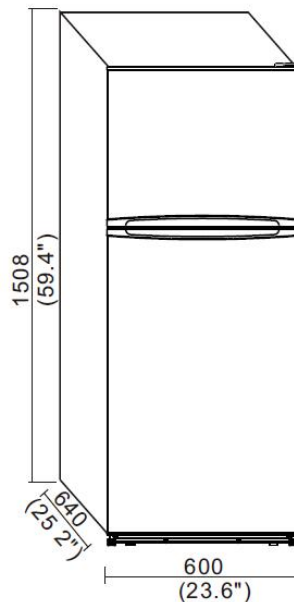
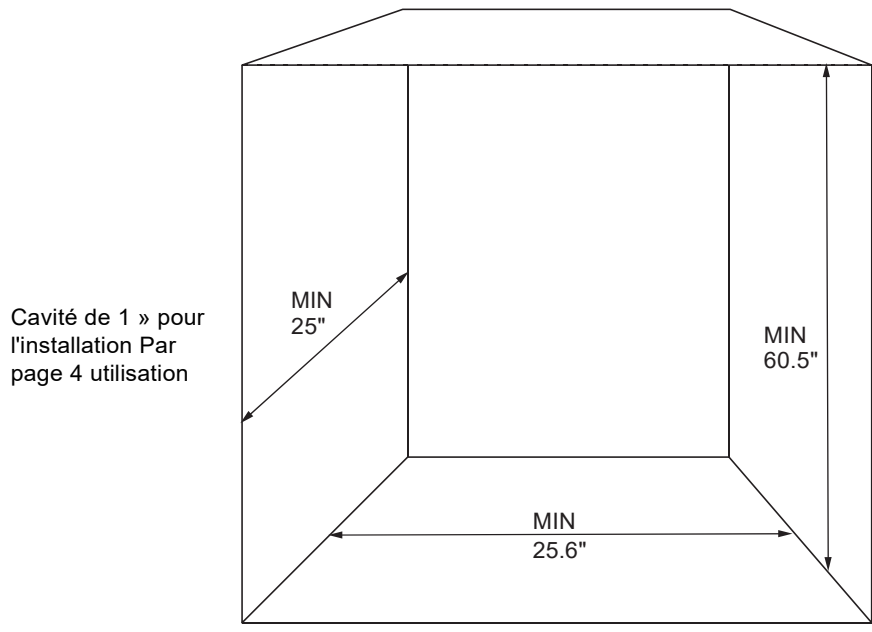
L'installation

Installez le réfrigérateur dans un endroit pratique, à l'abri de la chaleur et du froid extrêmes. Permettre un dégagement suffisant entre le réfrigérateur et la paroi latérale pour que la ou les portes s'ouvrent sans obstruction. Le réfrigérateur n'est pas conçu pour une installation encastrée.

Sélectionnez un espace avec un plancher de niveau fort.

Prévoyez 1 pouce d'espace entre le côté du réfrigérateur et le mur.

L'appareil doit être correctement connectée à l'alimentation électrique.



- Remarque : La porte doit dépasser d'au moins 1 pouce au-delà des armoires environnantes.

Guide de dépannage

Vous pouvez résoudre facilement de nombreux problèmes de réfrigérateur courants, ce qui vous permet d'économiser le coût d'un éventuel appel de service. Essayez les suggestions ci-dessous pour voir si vous pouvez résoudre le problème avant d'appeler pour le service.

Problème	Causes possibles
Le réfrigérateur ne fonctionne pas	<ul style="list-style-type: none"> • Le réfrigérateur est débranché. • Le disjoncteur est déclenché / fusible soufflé.
Le compresseur s'allume et s'éteint	<ul style="list-style-type: none"> • La température ambiante est plus chaude que la normale • La porte est laissée ouverte ou est fréquemment ouverte. • Le réfrigérateur n'a pas les dégagements corrects. • Le réfrigérateur a récemment été déconnecté pendant un certain temps.
Les compartiments des réfrigérateurs sont trop chauds	<ul style="list-style-type: none"> • Le contrôle de la température n'est pas réglé correctement. • La porte est laissée ouverte ou est fréquemment ouverte. • Le joint de la porte ne scelle pas correctement. • Une grande quantité d'aliments chauds ou chauds a été rangé récemment. Attendez que le réfrigérateur atteigne la température choisie. • Le réfrigérateur a récemment été déconnecté pendant un certain temps.
Vibration ou cliquetis (une légère vibration est normale)	<ul style="list-style-type: none"> • Les jambes de nivellement doivent être ajustées • Le réfrigérateur est placé sur une surface inégale ou faible. • Le réfrigérateur touche le mur. Remettre le réfrigérateur de niveau et éloignez-le du mur.
La température de la surface externe du réfrigérateur est chaude	<ul style="list-style-type: none"> • Les murs extérieurs du réfrigérateur peuvent être jusqu'à 30 ° F plus chauds que la température ambiante. • C'est normal pendant que le compresseur fonctionne pour transférer la chaleur de l'intérieur de l'armoire du réfrigérateur.
L'humidité s'accumule à l'intérieur du réfrigérateur	<ul style="list-style-type: none"> • La porte est laissée ouverte ou est fréquemment ouverte.
L'humidité se forme à l'extérieur du réfrigérateur	<ul style="list-style-type: none"> • Est normal par temps chaud et humide. L'air transporte l'humidité dans le réfrigérateur lorsque les portes sont ouvertes.
Bruits de bulles ou de gloussements (comme de l'eau bouillante)	<ul style="list-style-type: none"> • C'est le son normal du réfrigérant (utilisé pour refroidir le réfrigérateur) qui circule dans tout le système.
Bruits d'éclatement ou de craquement lorsque le compresseur se met en marche	<ul style="list-style-type: none"> • C'est normal. Les pièces métalliques subissent une expansion et une contraction, comme les conduites d'eau chaude. Le son se stabilisera ou disparaîtra au fur et à mesure que le réfrigérateur fonctionnera.
La porte ne se ferme pas correctement	<ul style="list-style-type: none"> • Le réfrigérateur n'est pas sur une surface plane. • Le joint est sale. • Le panier de rangement est hors de position.