



SUBURBAN GAS FURNACES
USER'S INFORMATION MANUAL For Models
SF-20Q • SF-25Q • SF-30Q • SF-35Q • SF-42Q
SF-20FQ • SF-25FQ • SF-30FQ • SF-35FQ • SF-42FQ
SFV-35Q • SFV-42Q • SFV-35FQ • SFV-42FQ
SH-35 • SH-42 • SH-35F • SH-42F
SF-20VHQ • SF-20VHFQ • SF-25VHQ • SF-25VHFQ
SF-30VHQ • SF-30VHFQ • SF-35VHQ • SF-35VHFQ



ANSI Z21.47-2016 | CSA 2.3-2016

This book contains instructions covering the operation and maintenance of your furnace. Keep with unit at all times. INSTALLER: LEAVE THIS MANUAL WITH THE APPLIANCE. CONSUMER: RETAIN THIS MANUAL FOR FUTURE REFERENCE. Should you require further information, contact your dealer or nearest Suburban Service Center.

▲ WARNING

Installation of this appliance must be made in accordance with the written instructions provided in this manual. No agent, representative or employee of Suburban or other person has the authority to change, modify or waive any provision of the instructions contained in this manual.

▲ WARNING
FIRE, EXPLOSION AND
ASPHYXIATION HAZARD

Improper adjustment, alteration, service, maintenance or installation can cause serious injury or death.

Read and follow instructions and precautions in User's Information Manual provided with this furnace. Installation and service must be performed by a qualified service agency or the gas supplier.

▲ WARNING

Be sure the furnace and all ignition systems are "OFF" during any type of refueling and while vehicle is in motion or being towed.

▲ WARNING

FIRE OR EXPLOSION HAZARD

Failure to follow safety warning exactly could result in serious injury, death or property damage.

- **Do not store or use gasoline or other flammable vapors and liquids in the vicinity of this or any other appliance.**
- **WHAT TO DO IF YOU SMELL GAS**
 - **Evacuate all persons from the vehicle.**
 - **Shut off the gas supply at the gas container or source.**
 - **Do not touch any electrical switch, or use any phone or radio in the vehicle.**
 - **Do not start the vehicle's engine or electric generator.**
 - **Contact the nearest gas supplier or qualified service technician for repairs.**
 - **If you cannot reach a gas supplier or qualified service technician, contact the nearest fire department.**
 - **Do not turn on the gas supply until the gas leak(s) has been repaired.**
- **Installation and service must be performed by a qualified installer, service agency or the gas supplier.**

**⚠ WARNING
CARBON-MONOXIDE
POISONING HAZARD**

Failure to follow instructions could result in severe personal injury or death due to carbon-monoxide poisoning, if combustion products infiltrate into the building.

Check that all openings in the outside wall around the vent (and air intake) pipe(s) are sealed to prevent infiltration of combustion products into the building.

Check the furnace vent (and air intake) terminal(s) are not obstructed in any way during all seasons.

MAINTENANCE AND CLEANING

⚠ WARNING

If the user of this appliance fails to maintain it in the condition in which it was shipped from the factory or if the appliance is not used solely for its intended purpose or if appliance is not maintained in accordance with the instructions in this manual, then the risk of a fire and/or the production of carbon monoxide exists which can cause personal injury, property damage or loss of life.

⚠ CAUTION

Label all wires prior to disconnecting for servicing and servicing controls. Wiring errors can cause improper and dangerous furnace operation. Proper polarity **MUST BE OBSERVED** so the furnace motor will run with the proper direction of rotation to insure correct air delivery. (See wiring diagram).

Always verify proper operation of furnace after servicing.

Always verify proper operation of furnace after servicing.

You, as the owner/user, should inspect the furnace monthly during the heating season for presence of soot on vent. Operating the furnace under this condition could lead to serious property damage, personal injury or loss of life. If soot is observed on the vent, immediately shut furnace down and contact a qualified service agency.

Listed below are several safety related items that you should follow during the heating season to assure continued safe operation of the furnace.

1. Inspect furnace venting. Venting must be free of obstructions, void of soot and properly terminated to the atmosphere. (Refer to installation manual.)

⚠ WARNING

Do not install screens over the vent for any reason. Screens will become restricted and cause unsafe furnace operation. Accessories are being marketed for RV products which we do not recommend. For your safety, only factory authorized parts are to be used on your furnace.

2. Periodically inspect the vent for obstructions or presence of soot. Soot is formed whenever combustion is incomplete. This is your visual warning that the furnace is operating in an unsafe manner. If soot is present, immediately shut furnace down and contact your dealer or a qualified service person.
3. Periodically observe the main burner flame to assure it is burning with a hard blue flame with well defined burner ports (See Figure 2). If flame appears yellow or burner has a lazy flame, shut furnace down. It is possible that burner needs cleaning or replaced. If excessive rust and corrosion are present on burner surface, the burner must be thoroughly cleaned or replaced. The burner may be cleaned using a steel wire brush and blown clean using high compression air. Contact a qualified service person for assistance.

NOTE: To properly observe burner operation, the furnace must be removed. This should only be done by your dealer or a qualified service agency.

4. Keep furnace clean. More frequent cleaning may be required due to excessive lint from carpeting, bedding material, etc. It is imperative that control compartments, burners and circulating air passageways of the appliance be kept clean.
5. The motor is permanently lubricated and requires no oiling.
6. Keep the furnace area clear of any combustible materials, gasoline or other flammable vapor and liquids.
7. Before operating furnace, check the location of the furnace vent to make sure it will not be blocked by the opening of any door on the trailer. If it can be blocked, do not operate the furnace with the door open.
8. Do not restrict the flow of combustion air or the warm air circulation to the furnace. To do so could cause personal injury and/or death.
9. Never operate the furnace if you smell gas. Do not assume that the smell of gas in your RV is normal. Any time you detect the odor of gas, it is to be considered life threatening and corrected immediately. Extinguish any open flames including cigarettes and evacuate all persons from the vehicle. Shut off gas supply at Propane gas bottle. (See safety notice on front cover of this manual.)
10. Immediately shut furnace down and call a service agency if furnace cycles erratically or delays on ignition.

⚠ WARNING

Should overheating occur, or the gas supply fail to shut off, shut off the manual gas valve to the appliance before shutting off the electrical supply.

11. Never attempt to repair damaged parts. Always have them replaced by a qualified service agency.
12. Never attempt to repair the furnace yourself. Seek the help of a qualified service person.
13. Never restrict the ducting installed by your trailer manufacturer. To do so could cause improper furnace operation.
14. Avoid direct contact with the outlet registers or vents as they will become hot during the heating cycle.
15. Do not install air boosters in the duct system. Such devices will cause the furnace to cycle on limit and to have erratic sail switch operation.
16. Clothing or other flammable material should not be placed on or near the appliance.
17. Always follow the Operating Instructions. Do not deviate from the step-by-step procedures.
18. When considering add-on rooms, porch or patio, attention must be given to the venting of your furnace. For your safety, do not terminate furnace vent inside add-on rooms, screen porch or onto patios. Doing so will result in products of combustion being vented into the room or occupied areas.
19. In any installation in which the vent of this appliance can be covered due to the construction of the RV or some special feature of the RV such as slide out, pop-up etc. always insure that the appliance cannot be operated by setting the thermostat to the positive "OFF" position and shutting off all electrical and gas supply to the appliance. Never operate furnace with vent covered.

Your furnace should be inspected by a qualified service agency yearly before turning the furnace on. Particular attention should be given to the following items:

1. Inspect furnace installation and vent termination to be sure furnace is properly secured in place, that vent terminates to the atmosphere and that vent tubes overlap properly. (See installation manual supplied with furnace.)
2. Inspect chamber and venting to assure that these components are physically sound, without holes or excessive corrosion and that the installation and/or reinstallation is in accordance with Suburban's Installation Instructions. (Reference installation manual supplied with furnace.)

▲ WARNING

It is imperative that the products of combustion be properly vented to atmosphere and that all combustion air supplied to burner be drawn from outside atmosphere.

3. Check the base on which furnace is mounted. Be sure it is physically sound, void of any sagging, deterioration, etc.
4. Inspect furnace, the venting, ducting and the gas piping to furnace for obvious signs of deterioration. Correct any defects at once.
5. Inspect combustion chamber for restrictions in exhaust or intake. It is imperative that the flow of intake combustion air and the flow of exhaust gases being expelled to the outside atmosphere not be obstructed. Any soot or loose debris should be blown out using compressed air. (See Figure 3.)

6. Inspect all gaskets. If any gaskets show signs of leakage or deterioration, replace them. Safe operation of the furnace depends on all gaskets being tight.
7. Inspect return air inlet openings to the furnace. Remove any restrictions to assure adequate air flow.

OPERATING INSTRUCTIONS

▲ WARNING

Do not operate furnace while vehicle is in motion or being towed.

NOTE: During initial firing of this furnace a burn-off of excess paint and oils remaining from manufacturing process may cause "smoking" for 5 - 10 minutes.

FOR YOUR SAFETY READ BEFORE OPERATING

▲ WARNING

If you do not follow these instructions exactly, a fire or explosion may result causing property damage, personal injury or loss of life.

- A. This appliance does not have a pilot. It is equipped with an ignition device which automatically lights the burner. Do **not** light the burner by hand.
- B. BEFORE OPERATING smell all around the appliance area for gas. Be sure to smell next to the floor because some gas is heavier than air and will settle on the floor.

WHAT TO DO IF YOU SMELL GAS

- Extinguish any open flame.
 - Evacuate all persons from the vehicle.
 - Shut off the gas supply at the gas container or source.
 - Do not touch any electric switch or use any phone or radio in the vehicle.
 - Do not start the vehicle's engine or electric generator.
 - Contact the nearest gas supplier or qualified service technician for repairs.
 - If you cannot reach a gas supplier or qualified service technician, contact the nearest fire department.
 - Do not turn on the gas supply until the gas leak(s) has been repaired.
- C. Do not use this furnace if any part has been under water. A flood damaged furnace is extremely dangerous. Attempts to use the furnace can result in fire or explosion. A qualified service agency should be contacted to inspect the furnace and to replace all gas controls, control system parts, electrical parts that have been wet or the furnace if deemed necessary.

OPERATING INSTRUCTIONS

1. **STOP!** Read User's Information Manual supplied with furnace.
2. Turn the manual valve (if so equipped) or the valve at the outside Propane tank to the "OFF" position. Do not force.
3. Set thermostat above room temperature to begin blower operation. A slight delay will occur before the blower comes on. Allow blower to run for 5 minutes for combustion chamber purge cycle. If blower does not come on or stops before ignition cycle, go to shut down and contact your dealer or a local recreational vehicle service agency.

4. After 5 minutes, move thermostat lever below room temperature. Blower will remain on. Wait approximately 2 minutes for blower to go off.

5. Open manual shut-off valve (if so equipped) or the valve at the outside propane tank. Correct operating characteristics depend on the valve being positioned fully open. Never attempt to operate with a valve partially closed.

NOTE: This furnace is equipped with a valve shut-off switch. With switch in "OFF" position, gas will not flow to burner nor will the furnace operate. SF SERIES Models, see Figure 4A. SH Series models, see Figure 4B.

6. Set thermostat to desired setting. **NOTE:** Motor will not start instantly. Allow approximately 30 seconds for motor operation.

7. Allow 30 seconds for main burner to light after blower turns on. This furnace is equipped with an ignition device which automatically lights the burner. Do not try to light the burner by hand.

8. If burner does not light, repeat Steps 1 through 8.

9. If after three (3) attempts with no ignition, go to shut down and contact your dealer or a local recreational vehicle service agency. Do not continue to cycle furnace through thermostat in an attempt to get ignition. **NOTE:** If furnace should lock out, the blower will go off in 5 minutes and remain off until unit is reset by reactivating thermostat.

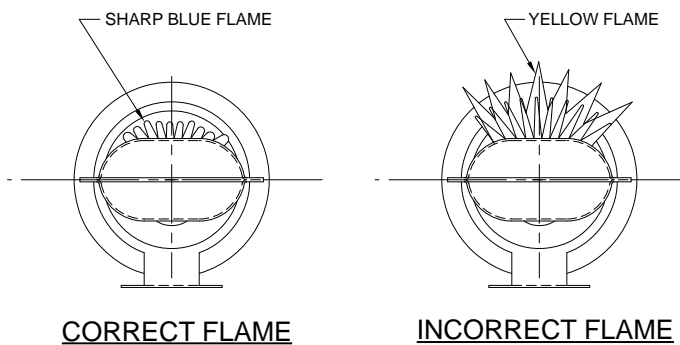
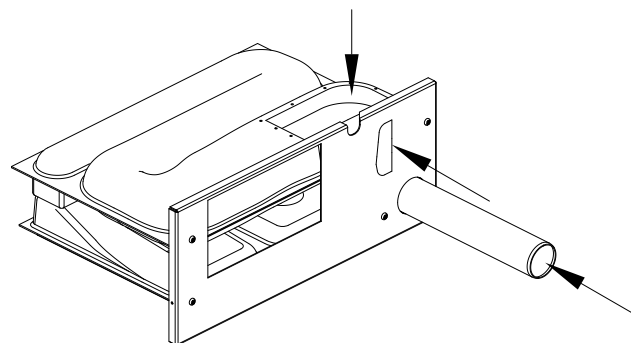


Figure 2



TO CLEAN THE CHAMBER, THE FURNACE MUST BE REMOVED FROM THE CABINET AND THE MANIFOLD. BLOWER ASSEMBLY AND CONTROLS REMOVED LEAVING THE CHAMBER AND FIREWALL ONLY, AS SHOWN. USING COMPRESSED AIR, BLOW THROUGH THE CHAMBER, AS SHOWN BY ARROWS, TO REMOVE SOOT OR LOOSE DEBRIS.

Figure 3

TO TURN OFF GAS TO APPLIANCE

1. Set the thermostat to lowest setting, then move lever to "OFF" position.
2. Turn off all electric power to the appliance if service is to be performed.
3. Turn manual valve (if so equipped) to the "OFF" position. Do not force.

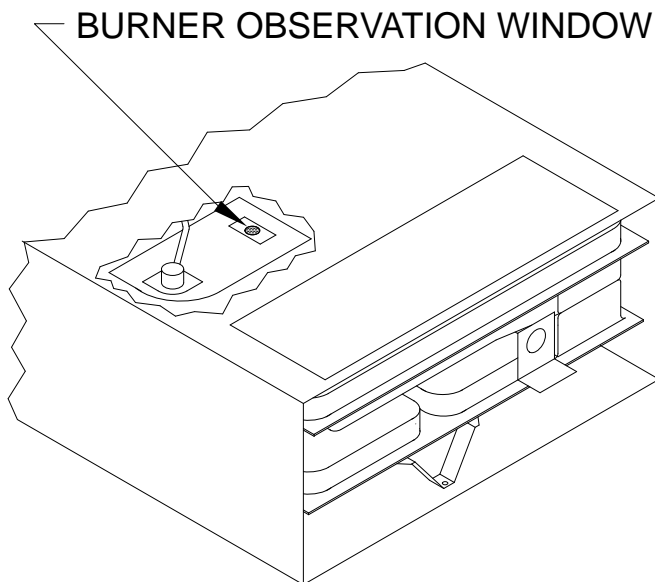


Figure 1

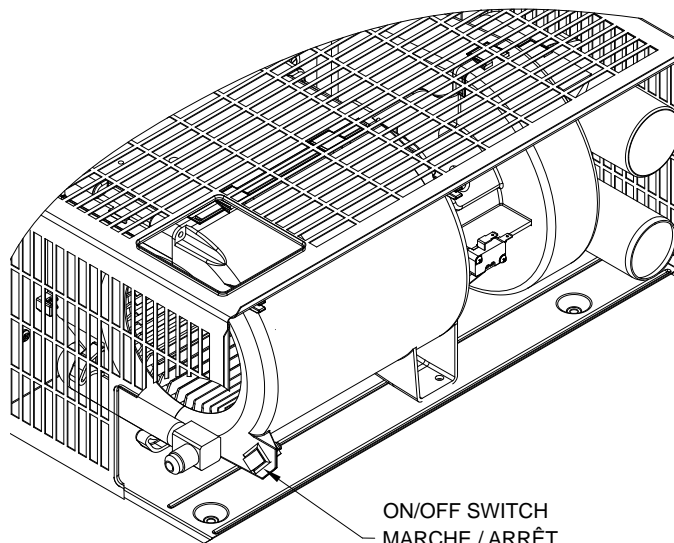


Figure 4A

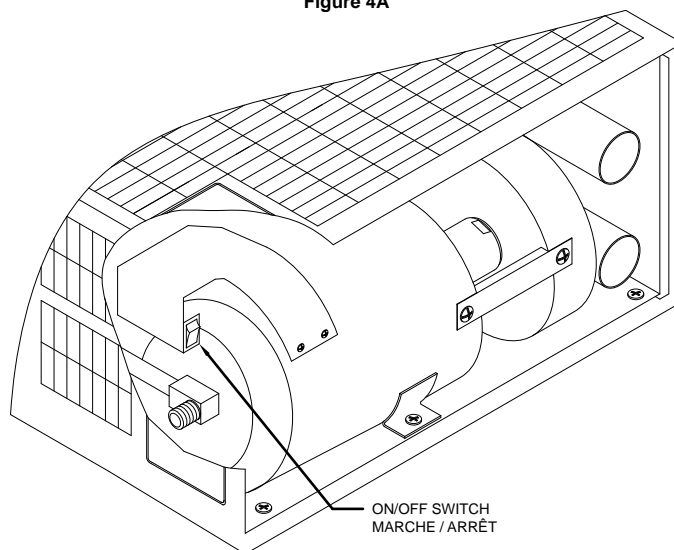


Figure 4B

CONSIGNES D'UTILISATION

1. ATTENTION! Lire le manuel d'information de l'utilisateur fourni avec l'appareil.

2. Fermer le robinet d'arrêt de la canalisation de gaz, ou le robinet de la bouteille de propane. Ne pas forcer.

3. Régler le thermostat pour une température supérieure à celle de la pièce pour commander le fonctionnement du ventilateur. Le ventilateur peut se mettre en marche après un certain retard. Laisser le ventilateur fonctionner pendant 5 minutes pour la purge de la chambre de combustion. Si le ventilateur ne s'allume pas ou s'arrête avant le cycle d'allumage, éteindre l'appareil et contacter le revendeur ou un service de réparation local pour véhicule de plaisance.

4. Après 5 minutes, régler le thermostat pour une température inférieure à celle de la pièce. Le ventilateur continue de fonctionner. Le ventilateur devrait s'arrêter après environ 2 minutes.

5. Ouvrir le robinet d'arrêt manuel (si équipé) ou la valve au niveau du réservoir de propane à l'extérieur. Les bonnes caractéristiques de fonctionnement dépendent de la position de la vanne complètement ouverte. Ne jamais essayer de fonctionner avec une vanne partiellement fermée. REMARQUE: Cette fournaise est équipée d'un interrupteur d'arrêt de vanne. Si la fournaise est démarrée avec l'interrupteur d'arrêt en position «OFF», le moteur de la fournaise fonctionnera pendant 30 secondes, puis s'éteindra. Pendant cette séquence, aucun gaz ne circulera dans le brûleur et la chaudière sera verrouillée, ce qui obligera l'utilisateur à éteindre le thermostat ou l'alimentation de l'unité pour réinitialiser la fournaise. Assurez-vous que l'interrupteur d'arrêt est en position «ON» pour un fonctionnement correct.

NOTE: Ce four est équipé d'un interrupteur d'arrêt de la vanne. Lorsque l'interrupteur est en position «OFF», le gaz ne s'écoule pas vers le brûleur et la fournaise ne fonctionne pas non plus. Modèles SF SERIES, voir la figure 4A. Modèles de la série SH, voir la figure 4B.

6. Réglez le thermostat sur le réglage désiré. REMARQUE: Le moteur ne démarre pas instantanément. Prévoyez environ 30 secondes pour le fonctionnement du moteur.

7. Attendez 30 secondes que le brûleur principal s'allume une fois le ventilateur allumé. Ce four est équipé d'un dispositif d'allumage qui allume automatiquement le brûleur. N'essayez pas d'allumer le brûleur à la main.

8. Si le brûleur ne s'allume pas, répétez les étapes 1 à 8. Après trois (3) tentatives sans succès, exécutez les instructions d'arrêt de l'appareil, et contacter le concessionnaire, ou un établissement local de service après-vente. Ne pas tenter de commander l'allumage de la flamme en contraignant l'appareil au moyen du thermostat. NOTE: Si l'appareil serait bloqué le ventilateur s'arrêtera dans 5 minutes et restera dans la position «arrêt» jusqu'à ce que l'appareil est réallumé par la réactivation du thermostat.

9. POUR FERMER LE GAZ À L'APPAREIL
Régler le thermostat pour la température la plus, puis déplacer l'aiguille vers la position arrêt.

LE FENÊTRE DE L'OBSERVATION

DU BEC

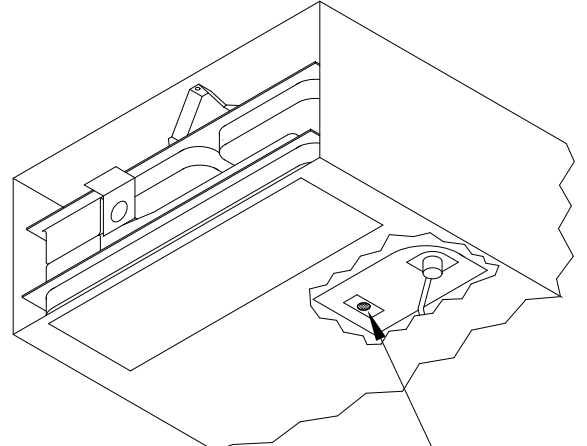


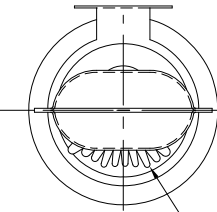
Figure 1

4

2. Fermer toute puissance électrique à l'appareil si l'entretien sera exécuté.

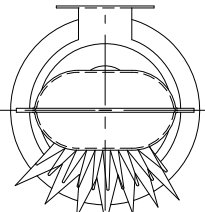
3. Tourner le robinet d'arrêt à «ARRÊT». Ne le pas forcer.

FLAMME AIGUE BLEUE



FLAMME CORRECTE

FLAMME HAUTE JAUNE



FLAMME INCORRECTE

Figure 2

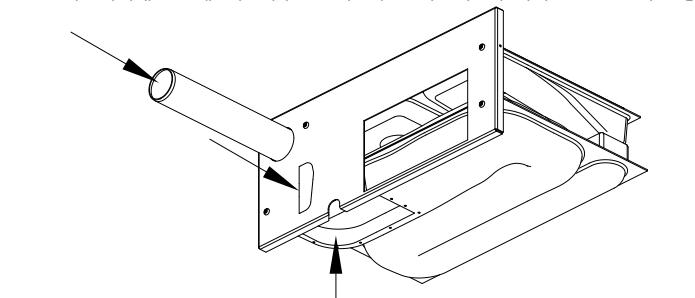


Figure 3

Pour le nettoyage de la chambre de combustion, on doit retirer l'appareil de la caisse, et retirer également le ventilateur et les organes de commande; il ne doit rester que la chambre de combustion, comme on le voit sur l'illustration. Injecter de l'air comprimé dans la chambre selon les indications des flèches pour expulser la suite et les débris.

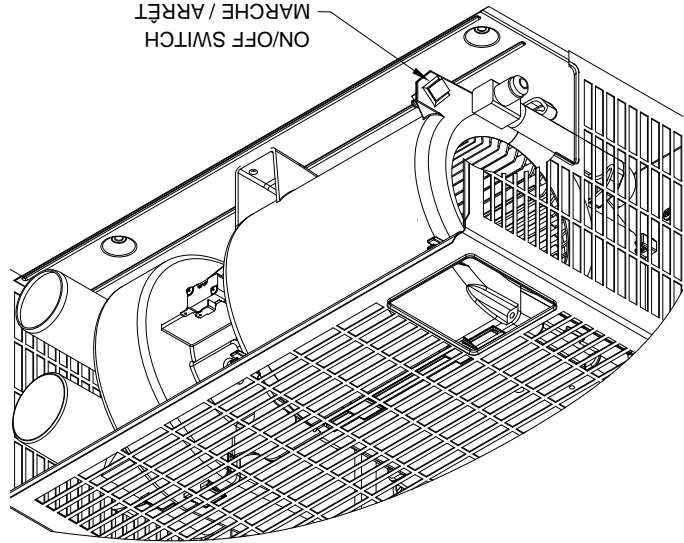


Figure 4A
MARCHE / ARRÊT
ON/OFF SWITCH

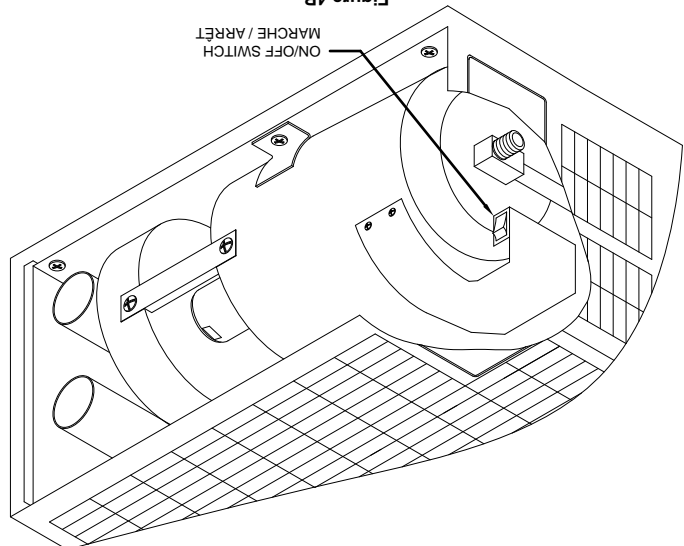


Figure 4B
MARCHE / ARRÊT
ON/OFF SWITCH

▲ AVERTISSEMENT
DANGER D'EMPOISONNEMENT AU MONOXYDE DE CARBONE

Le non-respect des instructions peut entraîner des blessures graves ou la mort par intoxication au monoxyde de carbone si des produits de combustion s'infiltrent dans le bâtiment.

Vérifiez que toutes les ouvertures dans le mur extérieur autour du (des) conduit (s) d'évent (et d'entrée d'air) sont scellées pour empêcher l'infiltration des produits de combustion dans le bâtiment.

Vérifiez que la (les) prise (s) d'évent (et d'entrée d'air) de la fournaise ne sont pas obstruées de quelque façon que ce soit pendant toutes les saisons.

▲ AVERTISSEMENT
 L'ENTRETIEN ET LE NETTOYAGE

Si l'utilisateur néglige de maintenir dans les conditions dans lesquelles il avait été expédié de l'usine ou si l'appareil est utilisé intentionnellement dans un but autre que celui pour lequel il a été conçu, ou si l'appareil n'est pas maintenu en état selon les instructions contenues dans ce manuel; Conséquemment, le risque d'incendie et/ou de production d'oxyde de carbone se fera, ce qui peut causer des blessures personnelles, dommages de propriété ou la perte de vie.

▲ MISE EN GARDE

Étiquetez tous les fils avant de les déconnecter pour les contrôles d'entretien et de maintenance. Des erreurs de câblage peuvent provoquer un fonctionnement incorrect et dangereux de la fournaise. La polarité correcte DOLT ETRE OBSERVEE de sorte que le moteur de la fournaise tourne dans le bon sens de rotation pour assurer une distribution d'air correcte. (Voir le schéma de câblage). Toujours vérifier le bon fonctionnement de la fournaise après l'entretien.

Vous, comme le propriétaire/l'utilisateur, devriez inspecter le calorifère mensuel pendant la saison de chauffage pour la présence de la suie sur la ventouse. Le fonctionnement du calorifère dans cette circonstance peut mener au dégât de la propriété sérieux, la blessure aux personnes ou la mort. Si la suie est observée sur la ventouse, fermer immédiatement le calorifère et contacter une agence de service qualifiée.

Montés au-dessous sont plusieurs articles de sécurité que vous pouvez suivre pendant la saison de chauffage pour assurer le fonctionnement sûr continu du calorifère.

1. Inspecter la ventouse du calorifère. La ventouse doit être libre des obstructions, vide de la suie et terminée proprement à l'atmosphère. (Référer vous au manuel d'installation.)

▲ AVERTISSEMENT

Ne pas installer les écrans au-dessus de la ventouse pour aucune raison. Les écrans deviendront bouchés et causeront le fonctionnement dangereux du calorifère. Les accessoires sont commercialisés pour les produits des véhicules de récréation que nous ne recommandons pas. Pour votre sécurité, seuls les parties autorisées par l'usine seront utilisées sur votre calorifère.

2. Inspecter périodiquement la ventouse pour les obstructions ou la présence de la suie. La suie est formée quand la combustion est incomplète. Celui-ci est votre avertissement visuel que le calorifère fonctionne dans une manière dangereuse. Si la suie est présente, fermer immédiatement le calorifère et contacter votre marchand ou une personne de service qualifiée.

3. Observer périodiquement la flamme principale du bec pour les orifices de formation de la flamme (Voir Figure 2.) Si la flamme paraît jaune ou le bec a une flamme paresseuse, fermer le calorifère. C'est possible que le bec a besoin du nettoyage ou un remplacement. Si la rouille et la corrosion excessives sont présentes sur la surface du bec, le bec doit être nettoyé à fond ou remplacé. Le bec peut être nettoyé en utilisant une brosse métallique d'acier et soufflé propre en utilisant l'air de haute compression. Contacter une personne de service qualifiée pour l'assistance.

NOTE: Pour correctement observer le fonctionnement du brûleur, l'appareil de chauffage doit être enlevé. Ceci doit seulement être fait par votre concessionnaire ou un technicien qualifié.

4. Maintenir le calorifère propre. Le nettoyage plus fréquent peut être exigé à cause des peluches excessives du tapis, l'étoffe de literie, etc. C'est impératif que les compartiments de contrôle, les bacs et les passages de l'air à circulation de l'appareil soient maintenus propres.

5. Le moteur est lubrifié permanemment et n'exige pas l'huile. Maintenir l'endroit du calorifère libre d'aucuns matériaux combustibles, l'essence ou d'autres vapeurs et liquides inflammables.

7. Avant de faire fonctionner le calorifère, vérifier l'emplacement de la ventouse du calorifère pour assurer qu'elle ne soit pas bloquée par l'ouverture d'aucune porte sur la remorque. Si elle peut être bloquée, ne pas faire fonctionner le calorifère avec la porte ouverte.

8. Ne pas restreindre le débit de l'air de combustion ou la circulation de l'air chaud au calorifère. Faire cela peut causer la blessure aux personnes et/ou la mort.

9. Ne jamais faire fonctionner le calorifère si vous sentez le gaz. Ne pas supposer que l'odeur de gaz dans votre véhicule de récréation est normale. À n'importe quel moment où vous détectez l'odeur de gaz, cela doit être considéré menaçant à la vie et doit être corrigé immédiatement. Éteindre toute flamme nue y compris les cigarettes et évacuer tout le monde du véhicule. Fermer la source de gaz à la bouteille. (Voir l'avis de sécurité sur le couvercle de devant.)

10. Fermer le calorifère immédiatement et téléphoner une agence de service si le calorifère cycle variablement ou retarde à l'ignition.

APPAREILS DE CHAUFFAGE À GAZ SUBURBAN

MANUEL D'INFORMATION POUR LES UTILISATEURS POUR LES MODELES

SF-20Q • SF-25Q • SF-30Q • SF-35Q • SF-42Q
 SF-20FQ • SF-25FQ • SF-30FQ • SF-35FQ • SF-42FQ
 SFV-35Q • SFV-42Q • SFV-35FQ • SFV-42FQ
 SH-35 • SH-42 • SH-35F • SH-42F
 SF-20VHQ • SF-20VHFQ • SF-25VHQ • SF-25VHFQ
 SF-30VHQ • SF-30VHFQ • SF-35VHQ • SF-35VHFQ

ANSI Z21.47-2016 | CSA 2.3-2016

Ce livre contient les instructions au sujet du fonctionnement et l'entretien de votre calorifère. Les garder avec l'appareil tout le temps. INSTALLATEUR: LAISSEZ CETTE NOTICE AVEC L'APPAREIL. CONSOMMATEUR: CONSERVEZ CETTE NOTICE POUR CONSULTATION ULTERIEURE. Si vous avez besoin de renseignements supplémentaires, contacter votre marchand



▲ AVERTISSEMENT
« RISQUE D'INCENDIE OU D'EXPLOSION »
 Le non-respect des avertissement de sécurité pourrait entraîner des blessures graves, la mort ou des dommages matériels.»

— Ne pas entreposer ni utiliser d'essence ou ni d'autres vapeurs ou liquides inflammables à proximité de cet appareil ou de tout autre appareil.
 — QUE FAIRE SI VOUS SENTEZ UNE ODEUR DE GAZ:

- Évacuez le véhicule.
- Coupez l'alimentation en gaz au réservoir ou à la source.
- Ne touchez à aucun interrupteur; ne pas vous servir du téléphone ou de la radio du véhicule.
- Ne pas démarrer le moteur du véhicule ni aucune génératrice électrique.
- Appelez le fournisseur de gaz le plus proche ou un technicien qualifié.
- Si vous ne pouvez rejoindre ni un fournisseur ni un technicien qualifié, appelez le service des incendies le plus proche.
- Ne pas rétablir l'alimentation en gaz tant que la fuite n'a pas été réparée.
- L'installation et l'entretien doivent être assurés par un installateur ou un service d'entretien qualifié ou par le fournisseur de gaz.

▲ AVERTISSEMENT
 ou le centre de service Suburban le plus près.

L'installation de cet appareil doit être exécutée en accordance avec les instructions écrites fournies dans le manuel. Aucun agent-représentant ou employé de Suburban ou autre personne, n'a l'autorité pour changer, modifier ou déroger le contenu des instructions fournies dans ce manuel.

▲ AVERTISSEMENT
« RISQUE D'INCENDIE, D'EXPLOSION ET ASPHYXIE »

«Un réglage, une modification, un réparation, un entretien ou une installation incorrect peut entraîner des blessures graves ou la mort.»
 «Suivre les instructions et les consignes qui figurent dans la notice d'utilisation qui accompagne ce générateur d'air chaud. L'installation et l'entretien doivent être effectués par un réparateur qualifié ou par le fournisseur de gaz.»

▲ AVERTISSEMENT

Vérifier que l'appareil et tous les systèmes d'allumage sont à la position d'arrêt lors du remplissage du réservoir de carburant, ou lorsque le véhicule est en mouvement ou remorqué.